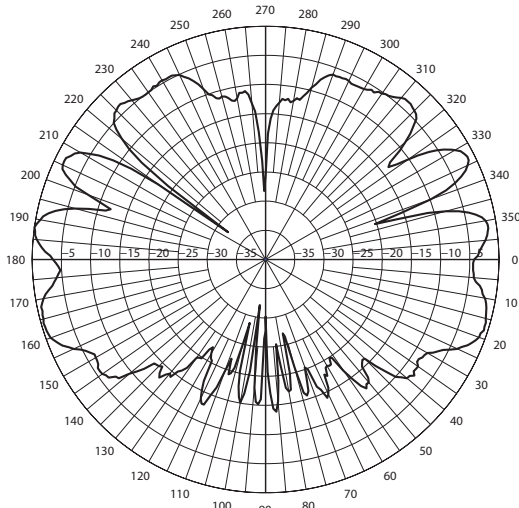
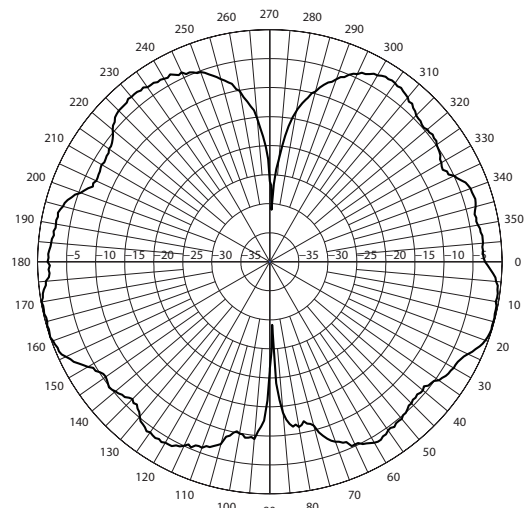


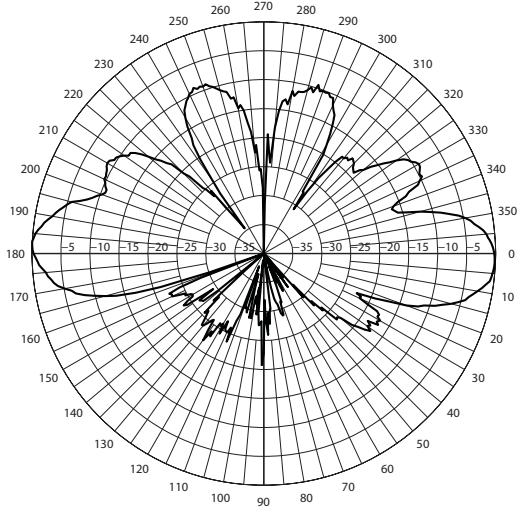
Radiation Patterns



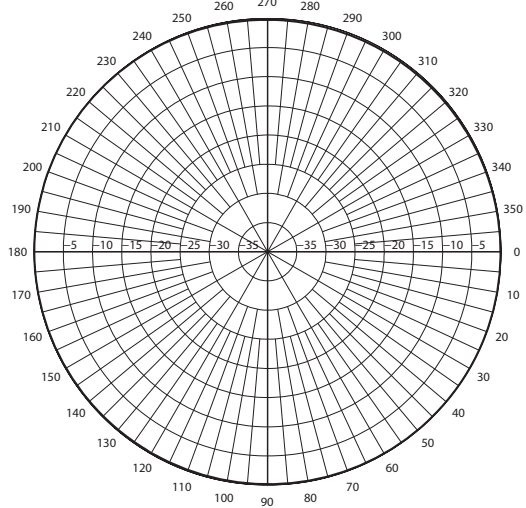
(B)MEFC24005 Elevation Cut with a ground plane



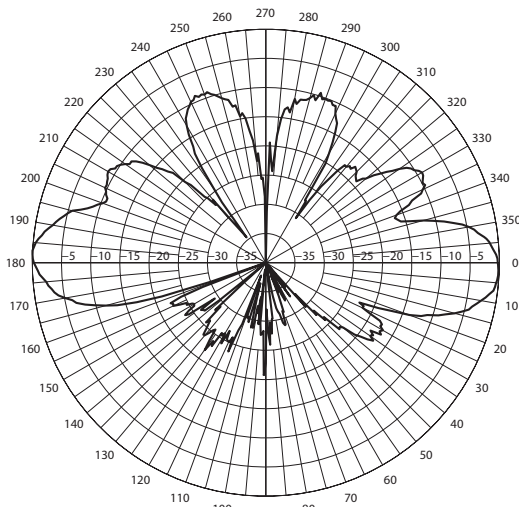
(B)MEFC24005 Elevation Cut without a ground plane



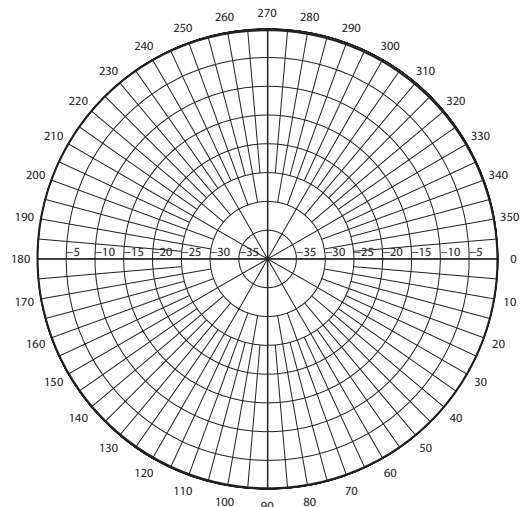
(B)MEFC49005HF Elevation Cut



(B)MEFC49005HF Azimuth Cut



(B)MEFC58005HF Elevation Cut



(B)MEFC58005HF Azimuth Cut