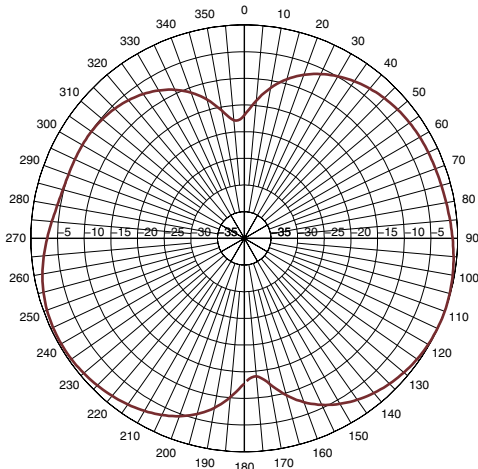
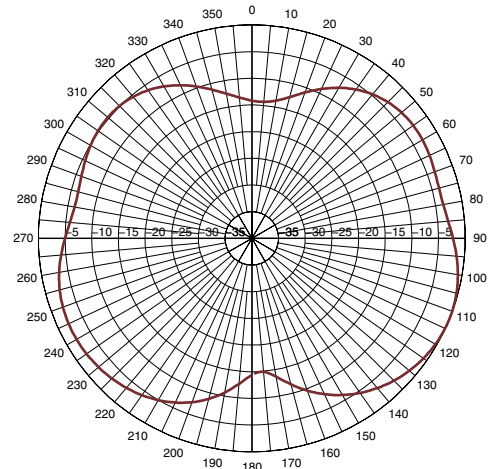


Radiation Patterns

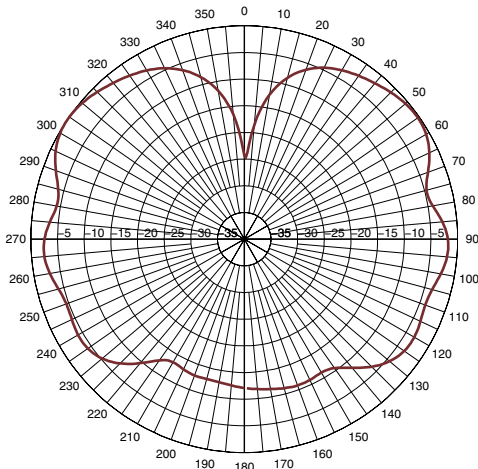
740 MHz Elevation Cut



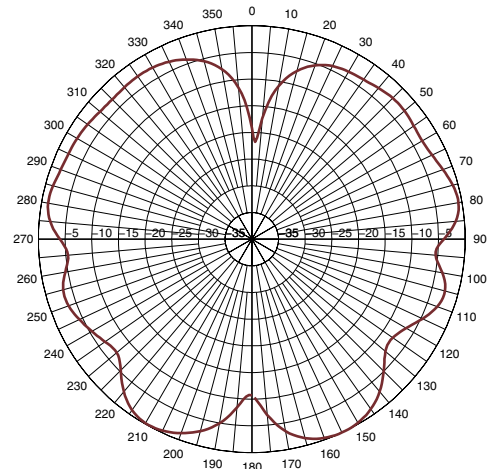
920 MHz Elevation Cut



1800 MHz Elevation Cut

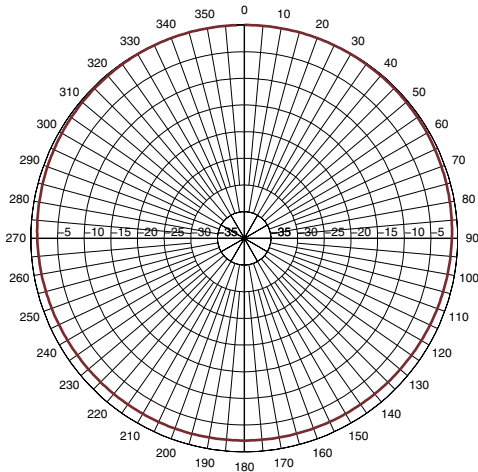


1800 MHz Elevation Cut

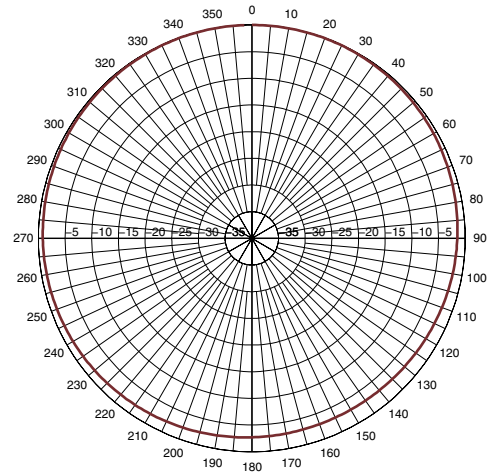


Radiation Patterns

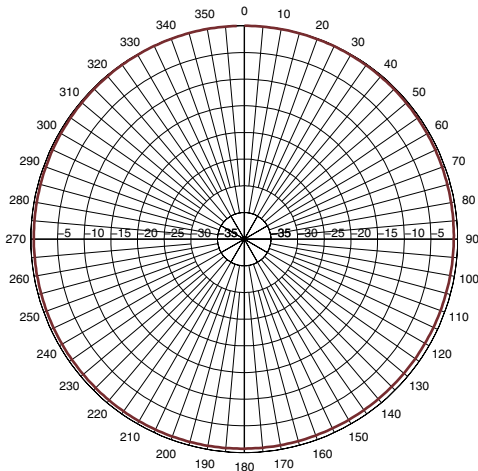
740 MHz Azimuth Cut



920 MHz Azimuth Cut



1800 MHz Azimuth Cut



2500 MHz Azimuth Cut

