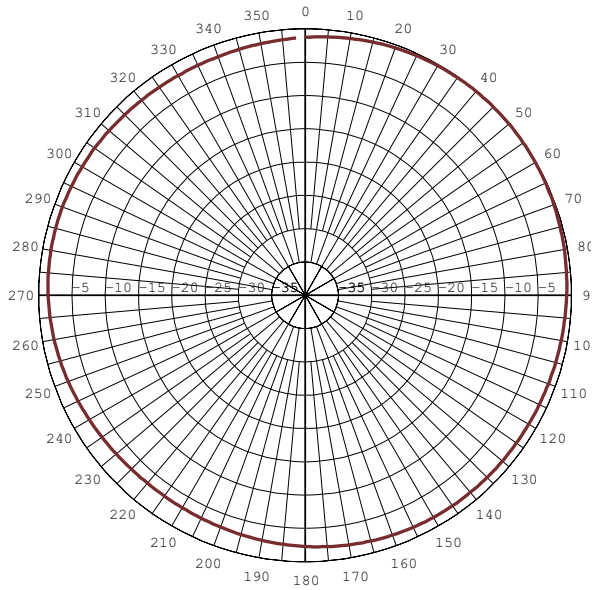
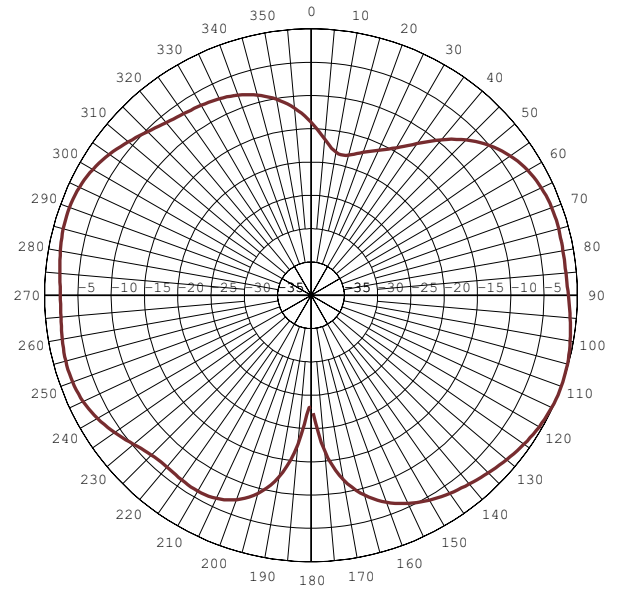


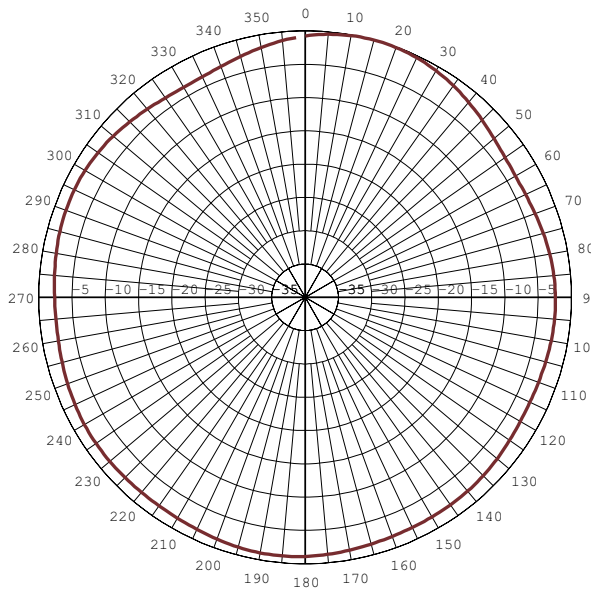
**750 MHz Azimuth**



**750 MHz Elevation**



**1900 MHz Azimuth**



**1900 MHz Elevation**

