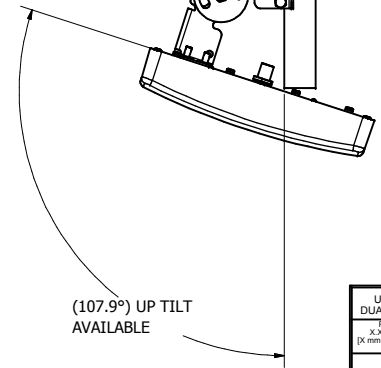
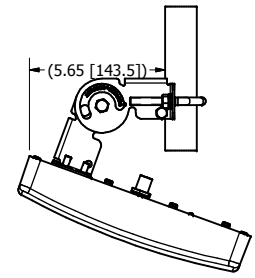
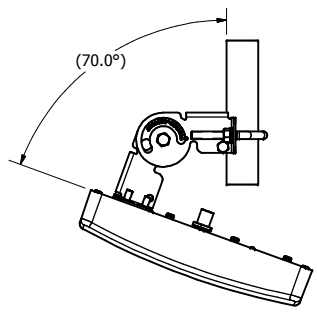
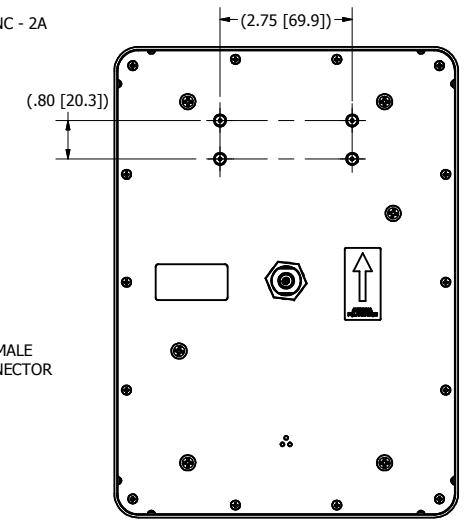
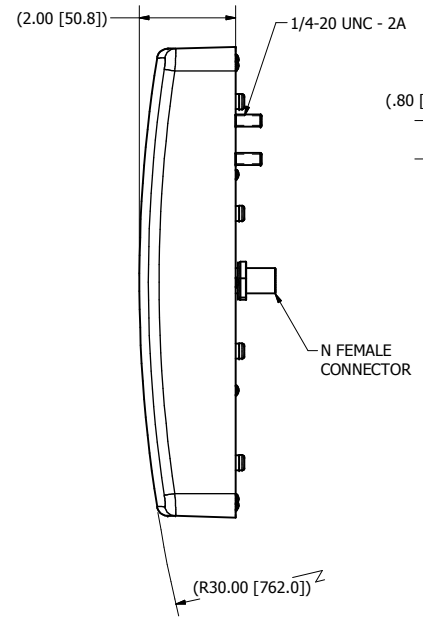
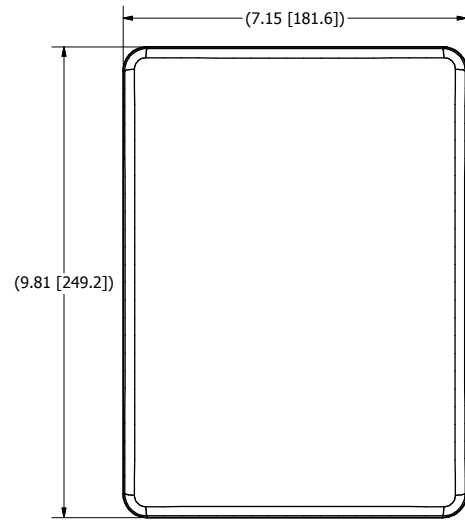


NOTES: UNLESS OTHERWISE SPECIFIED

1. DIMENSIONS IN PARENTHESIS ARE FOR REFERENCE ONLY AND NO TOLERANCE IS IMPLIED.

REVISION HISTORY			
REV	DESCRIPTION	DATE	APPROVED
4	OUTLINE DIMENSIONAL DRAWING RELEASED	28APR15	ZV
4.1	REPLACE RIVETS WITH PL. SCREWS	7/1/15	MP



POSITIONING WITH MOUNT SCALE 1 / 4

UNLESS OTHERWISE SPECIFIED DUAL DIMENSIONING XX.Xin [XX.Xmm]		DRAWN ZV	DATE 4/28/2015	<p>PCTEL, INC. 471 BRIGHTON DRIVE BLOOMINGDALE, IL 60108 PH. 630-372-6800 FAX. 630-372-8077</p>
<small>FOR TOLERANCES NOT SPECIFIED USE: X.X in ± .1 mm; X.XX in ± .01 in; .XXX in ± .005 in [X mm ± 3 mm]; [X.X mm ± 3 mm]; [X.XX mm ± .15 mm] ANGULARS °; FRACTIONAL ± 1/64</small>		CHECKED	DATE	
THIRD ANGLE PROJECTION		MATERIAL: SEE COMP. PRINTS		DESCRIPTION PIM RATED SINGLE POL. PANEL, N CONNECTOR
		FINISH: SEE COMP. PRINTS		DRAWING NO. ODD_PLTE7027S-I
<p><b>PCTEL PROPRIETARY DATA</b> THE INFORMATION AND/OR DRAWINGS CONTAINED IN THIS DOCUMENT IS CONFIDENTIAL AND PROPRIETARY TO PCTEL, INC. AND MAY NOT BE USED, REPRODUCED, IN WHOLE OR IN PART, OR MODIFIED IN ANY WAY WITHOUT THE EXPRESS WRITTEN PERMISSION OF AN AUTHORIZED REPRESENTATIVE OF PCTEL, INC.</p>		SIZE C	SCALE 1/2	SHEET 1 OF 1