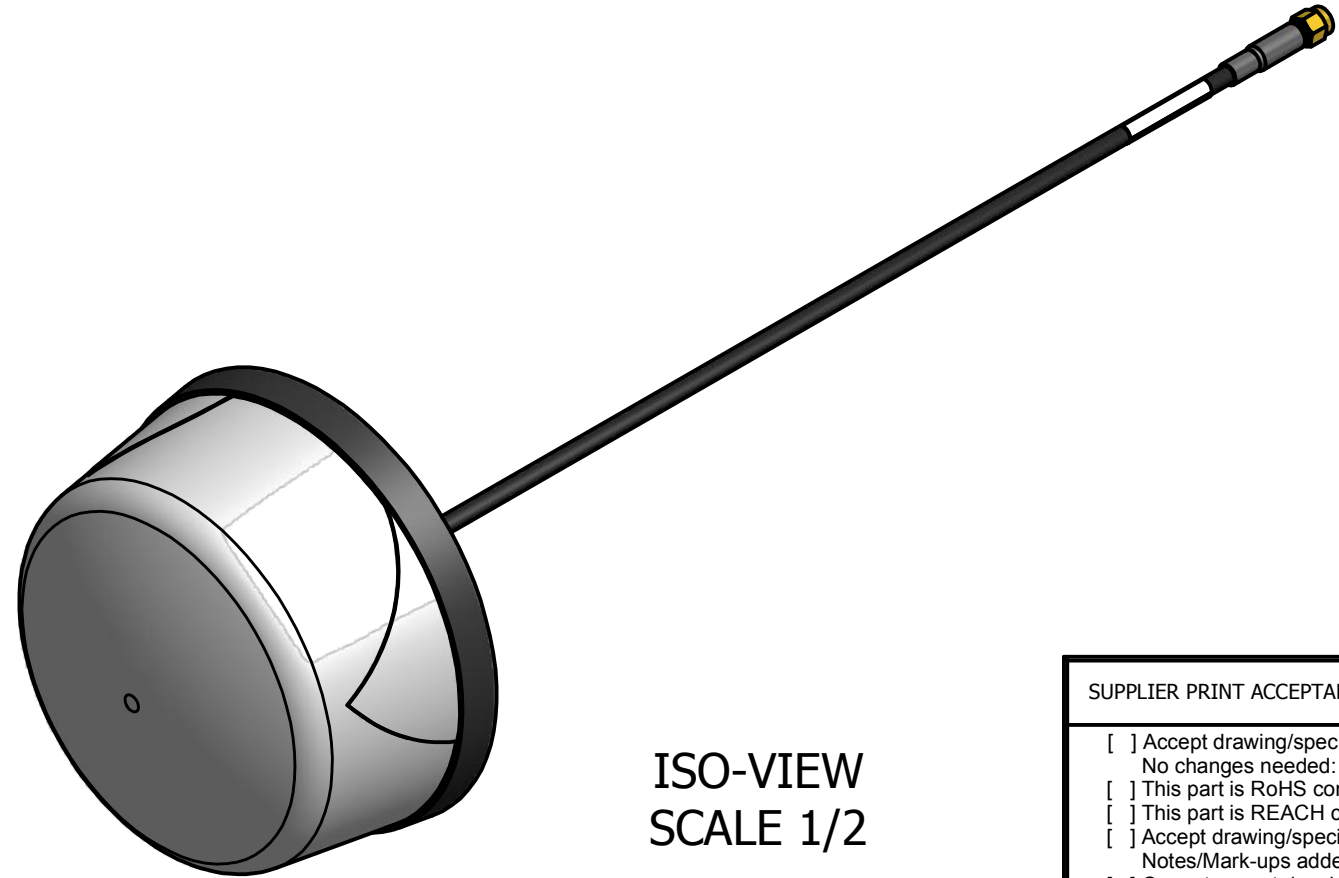
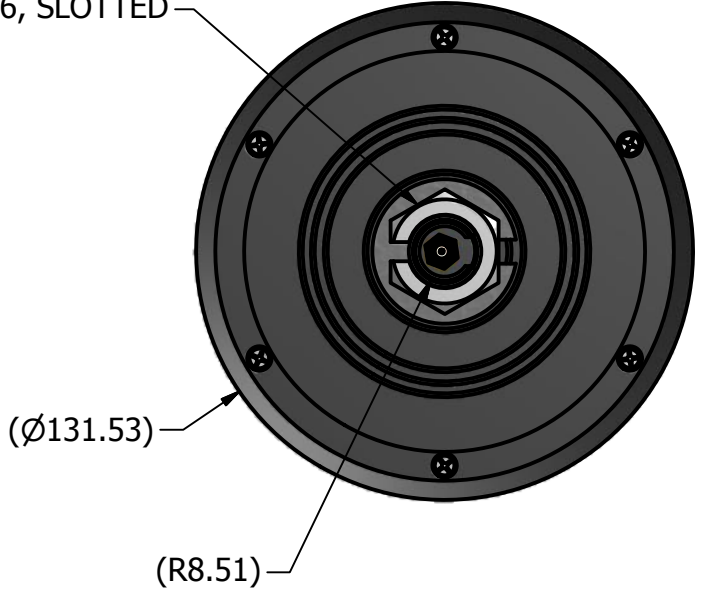
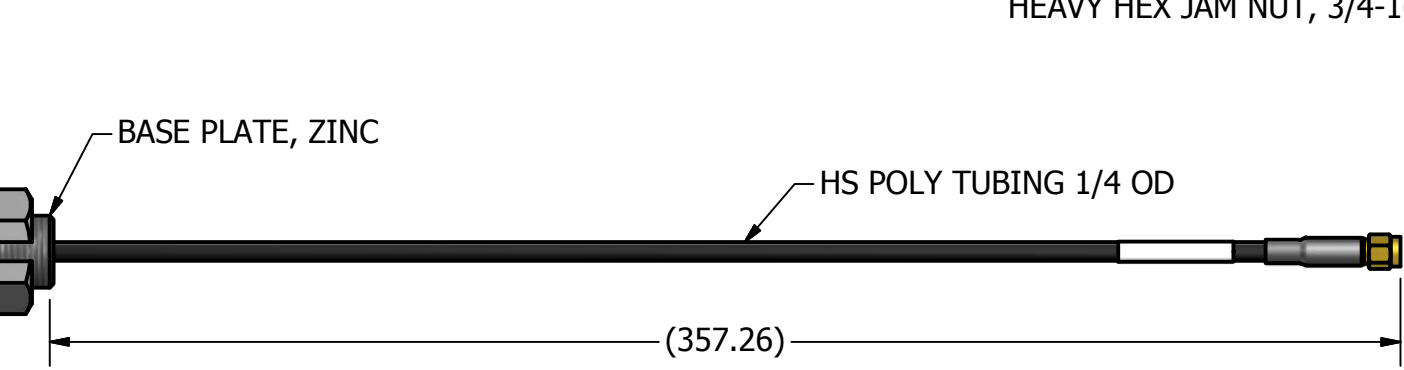
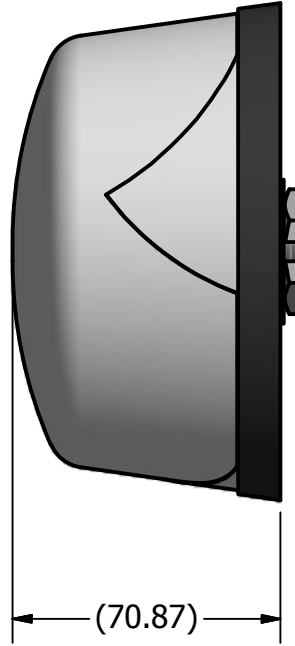
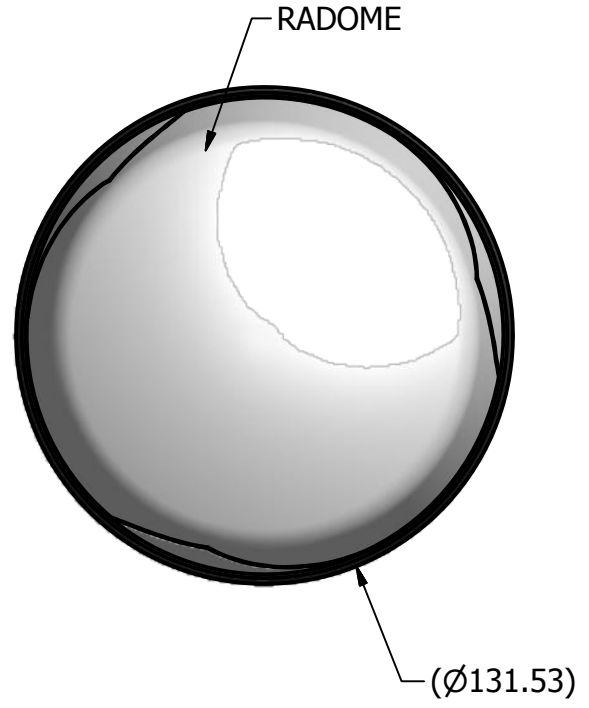


REVISION HISTORY			
REV	DESCRIPTION	DATE	APPROVED
1	698 MHZ-5GHZ ULTRA WIDEBAND MOBILE ANTENNA	2/12/2016	CE



ISO-VIEW
SCALE 1/2

NOTES: UNLESS OTHERWISE SPECIFIED

1. A (REF) DIMENSION IS FOR INFORMATION PURPOSES ONLY AND NO TOLERANCE IS IMPLIED.

SUPPLIER PRINT ACCEPTANCE:	
<input type="checkbox"/> Accept drawing/specification: No changes needed: <input type="checkbox"/> This part is RoHS compliant <input type="checkbox"/> This part is REACH compliant <input type="checkbox"/> Accept drawing/specification. Notes/Mark-ups added <input type="checkbox"/> Cannot accept drawing/spec. Notes/Mark-ups added Supplier Projected Outgoing Quality: SIGMA LEVEL : _____ or PPM: _____ Signature _____ Date: _____	

UNLESS OTHERWISE SPECIFIED DIMENSIONS ARE IN MILLIMETERS	
FOR TOLERANCES NOT SPECIFIED USE:	
[X mm ± 3 mm]	[X.X mm ± .3 mm]
[X.XX mm ± .13 mm]	ANGULAR ± 1°
THIRD ANGLE PROJECTION	
PCTEL PROPRIETARY DATA THE INFORMATION AND/OR DRAWINGS CONTAINED IN THIS DOCUMENT IS CONFIDENTIAL AND PROPRIETARY TO PCTEL, INC. AND MAY NOT BE USED, REPRODUCED, IN WHOLE OR IN PART, OR MODIFIED IN ANY WAY WITHOUT THE EXPRESS WRITTEN PERMISSION OF AN AUTHORIZED REPRESENTATIVE OF PCTEL, INC.	

DRAWN	DATE
CE	11/15/2016
CHECKED	DATE
IP	11/15/2016
MATERIAL:	SEE COMPONENT PRINTS
FINISH:	SEE COMPONENT PRINTS

	PCTEL, INC. 471 BRIGHTON DRIVE BLOOMINGDALE, IL 60108 PH. 630-372-6800 FAX. 630-372-8077	
	DESCRIPTION 698MHZ-6GHZ ULTRA WIDEBAND MOBILE ANTENNA	
DRAWING NO. PCTUWB-W		
SIZE B	SCALE 1:1	SHEET 1 OF 1