

PRODUCT WARRANTY

GENERAL WARRANTY: PCTEL warrants that the PCTEL antenna and/or Connected Solutions™ products furnished herewith (sometimes collectively referred to as "Products") shall be free from defects in material and workmanship under normal use and operation for the following periods of time commencing with the date of shipment by PCTEL:

WARRANTY PERIOD	DESCRIPTION OF PRODUCTS
Lifetime to Original Purchaser	Connected Solutions Fiber Optic Cable Assembly products
10 Years	PCTEL Coaxial Surge product series PCTEL Data Line Surge products
5 Years	Bluewave™ Series antennas BMOY Series Yagi antennas BOA Series Omni antennas FP Panel Series antennas GPS Airborne Series antennas GPS-TMG Timing Series antennas GPS WAAS antennas MHO Series Omni antennas MLPV Series Omni antennas MPMI Omni antennas MPRC and MPRD Parabolic Reflector antennas PCTEL Bulk Cable products
2 Years	All other PCTEL antennas
1 Year or Pass-Through Warranty offered by applicable third-party manufacturer (whichever is greater)	Enclosure products Coaxial cable assembly products Any other Connected Solutions products

PCTEL's sole and exclusive obligation under the foregoing warranty shall be, at its option, to repair or replace any defective Product that fails during the warranty period. The expense of removal and reinstallation of any item is not included in this warranty. PCTEL warrants that any Services furnished pursuant to this Quotation and any subsequent Purchase Order issued by Buyer will be performed by careful, efficient and qualified worker(s), in the most workmanlike manner, and the work will conform to the applicable requirements and specifications and to the highest standards applicable in the field. THE FOREGOING WARRANTY IS EXCLUSIVE AND IN LIEU OF ALL OTHER WARRANTIES, EXPRESS OR IMPLIED, INCLUDING THE IMPLIED WARRANTIES OF MERCHANTABILITY AND FITNESS FOR A PARTICULAR PURPOSE AND ANY WARRANTIES ARISING FROM A COURSE OF DEALING, USAGE OR TRADE PRACTICE WITH RESPECT TO THE PRODUCTS/SERVICES. Repair or replacement in the manner provided herein shall be the sole and exclusive remedy of Buyer for breach of warranty and shall constitute fulfillment of all liabilities of PCTEL with respect to the quality and performance of the Products/Services.

EXCEPTIONS: PCTEL DOES NOT WARRANT THAT THE OPERATION OF THE PRODUCTS IS ERROR-FREE OR THAT OPERATION WILL BE UNINTERRUPTED. IN NO EVENT SHALL PCTEL BE LIABLE FOR: (i) ANY SPECIAL, INCIDENTAL OR CONSEQUENTIAL DAMAGES TO THE BUYER OR ANY THIRD PARTY ARISING HEREUNDER OR ANY DEFECTIVE PRODUCT WHETHER THE DEFECT IS WARRANTED AGAINST OR NOT, WHETHER THE CLAIM IS BASED UPON CONTRACT, TORT, STRICT LIABILITY OR OTHERWISE, (ii) ANY AMOUNT EXCEEDING THE PURCHASE PRICE OF THE PRODUCT, (iii) SYSTEM PERFORMANCE, INCLUDING COVERAGE, (iv) THE BUYER'S SELECTION OF PRODUCTS FOR THE BUYER'S APPLICATION, AND/OR (v) FAILURE OF PRODUCTS TO MEET GOVERNMENT OR REGULATORY REQUIREMENTS. The foregoing general warranty shall apply only if: (a) the Product has been properly installed and used at all times in accordance, in all material respects, with the applicable documentation; (b) no modification, alteration or addition has been made to the Product by persons other than PCTEL or PCTEL's authorized representatives or otherwise approved by PCTEL in writing; and (c) the Product has not been subjected to abuse, misuse, neglect or unusual physical, electrical or electromagnetic stress, or some other type of accident. EXCEPT FOR MATTERS RELATING TO INDEMNIFICATION (Section 8 below), PCTEL'S MAXIMUM AGGREGATE LIABILITY TO BUYER RELATED TO OR IN CONNECTION WITH THE PURCHASE BY BUYER OF THE PRODUCT/SERVICES SHALL BE LIMITED TO THE TOTAL AMOUNT PAID BY BUYER TO PCTEL FOR THE PRODUCTS/SERVICES COVERED BY BUYER'S PURCHASE ORDER PRIOR TO THE EVENT GIVING RISE TO THE LIABILITY. THE FOREGOING EXCLUSIONS AND LIMITATIONS OF LIABILITY AND DAMAGES SHALL NOT APPLY TO DAMAGES FOR PERSONAL INJURY.

WARRANTY PROCEDURES: In the event of a warranty claim, the Buyer must contact PCTEL to arrange for Product return and/or re-performance of the Services, as applicable. No Product will be accepted for replacement or repair without first obtaining a Return Material Authorization (RMA) number from PCTEL Customer Service by telephone to 1-630-372-6800. PCTEL reserves the right to inspect all defective Products. Products returned without an RMA number will not be processed and will be returned to Buyer freight collect. The warranty period of any repaired or replaced product shall not extend beyond its original term. Product to be repaired or replaced under warranty is to be returned, freight prepaid, to the following address with the assigned RMA number displayed on the box:

PCTEL, Inc.
Attn: RMA Coordinator
471 Brighton Drive
Bloomington, Illinois 60108 U.S.A.



**471 Brighton Drive
Bloomington, IL 60108**



Installation Instructions for MIS-HDGLDLTE

© 2016 PCTEL, Inc.
All Rights Reserved

REV A

INSTALLATION INSTRUCTIONS

STUD MOUNT (TYPICAL INSTALLATION)

STEP 1:

Select mounting position. When choosing a mounting location, attempt to center the antenna on a metal surface and place it so that it has at least 8-inches of ground plane at any given direction. Place the antenna at least 16-inches from adjacent antennas or metallic structures. The chosen location should be as flat as possible to ensure proper sealing. Be sure there are 2-inches of clearance below the mounting surface to allow for mounting stud and cable routing. Also, allow 2-inches around the mounting hole to facilitate the mounting nut and torquing procedure.

STEP 2:

Cut or drill a 1-inch hole through mounting surface (Figure #1).

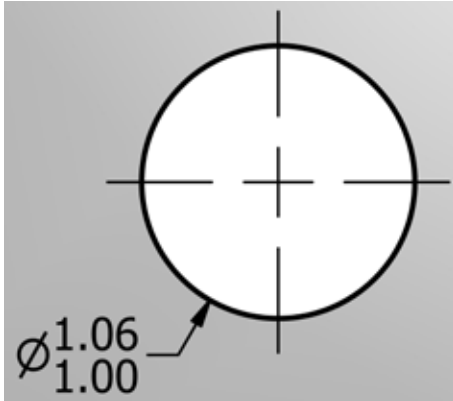


Figure #1

STEP 3:

Verify that the hole has been de-burred of sharp edges to prevent cable damage during installation.

STEP 4:

Clean the mounting surface around the hole. The surface must be free of any debris that would otherwise prevent the inner VHB foam gasket from adhering or the outer rubber gasket from forming a seal.

STEP 5:

Feed the cables through the hole with care to avoid damaging the jacket and route them to the desired location.

STEP 6:

Remove the liner from the inner VHB foam gasket, insert the mounting stud through the hole and position the antenna onto the mounting surface.

STEP 7:

Beneath the mounting surface, install the slotted lock nut onto the mounting stud and hand tighten. Then wrench tighten until antenna is fully seated, or with a torque wrench, tighten the nut to 14Nm (10.3 lbf*ft) minimum.

STEP 8:

Visually inspect the outer rubber antenna gasket to ensure it has been compressed to make a seal against the mounting surface and radome. If the locking nut includes a set screw locking feature, torque down the locking nut as above and then torque the set screw to 3.5Nm (2.2 ft-lbs).