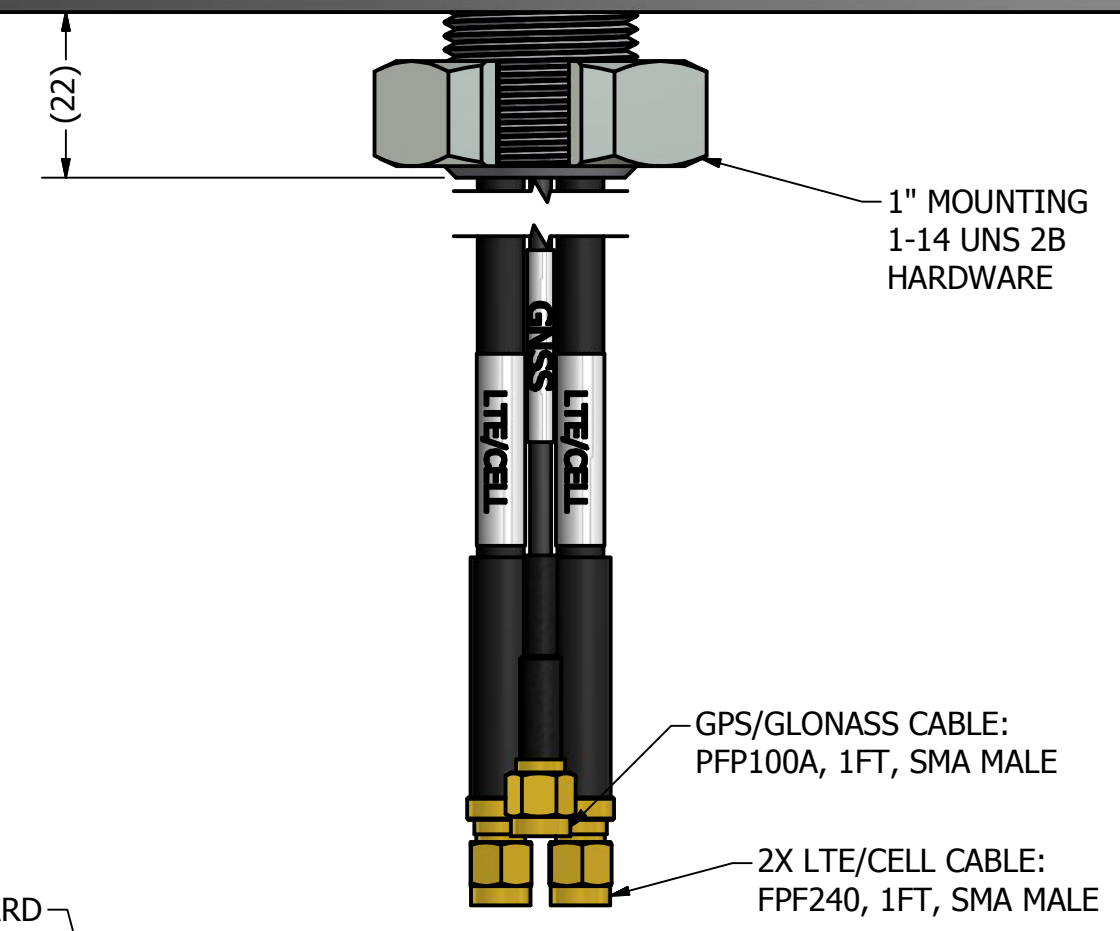
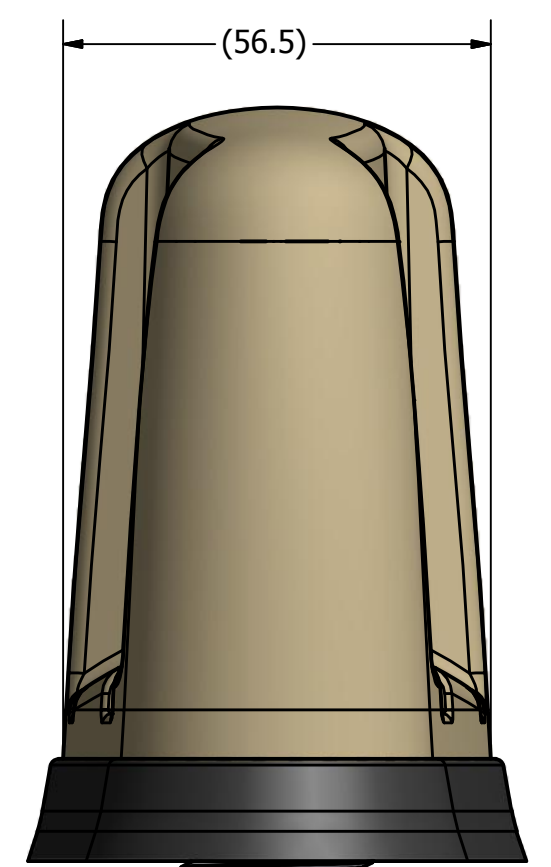
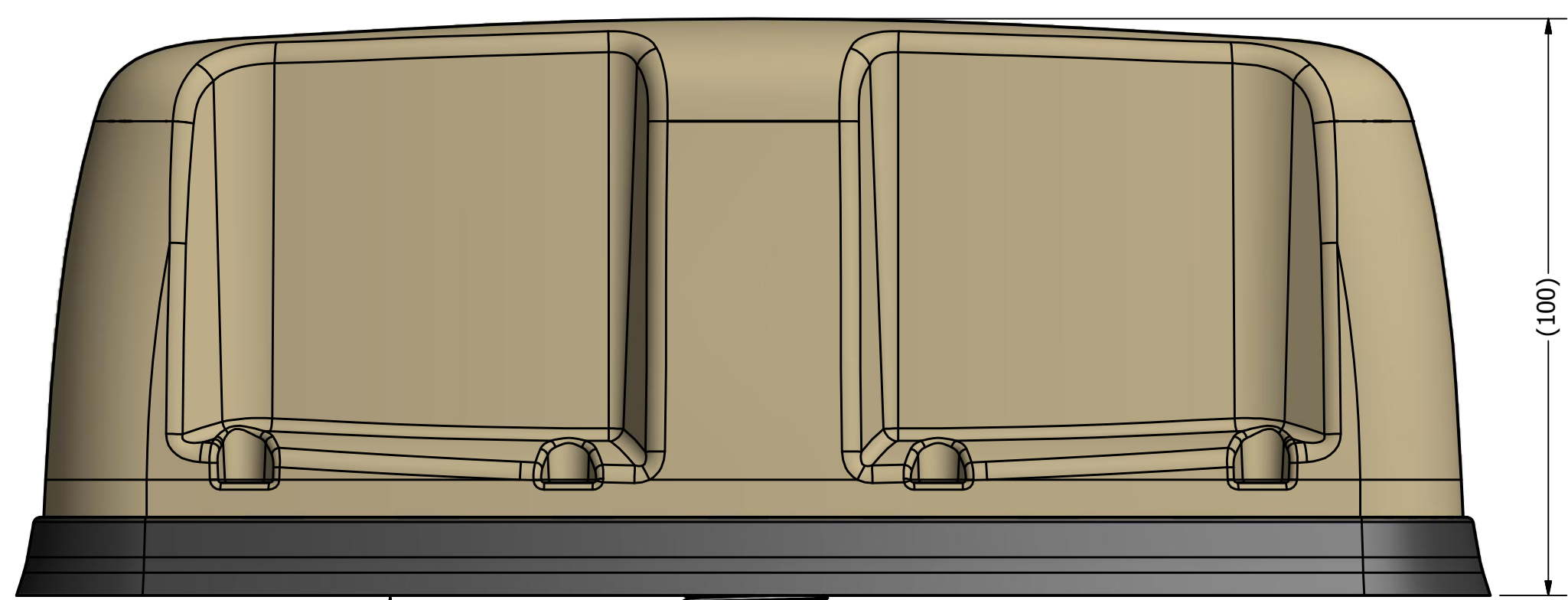
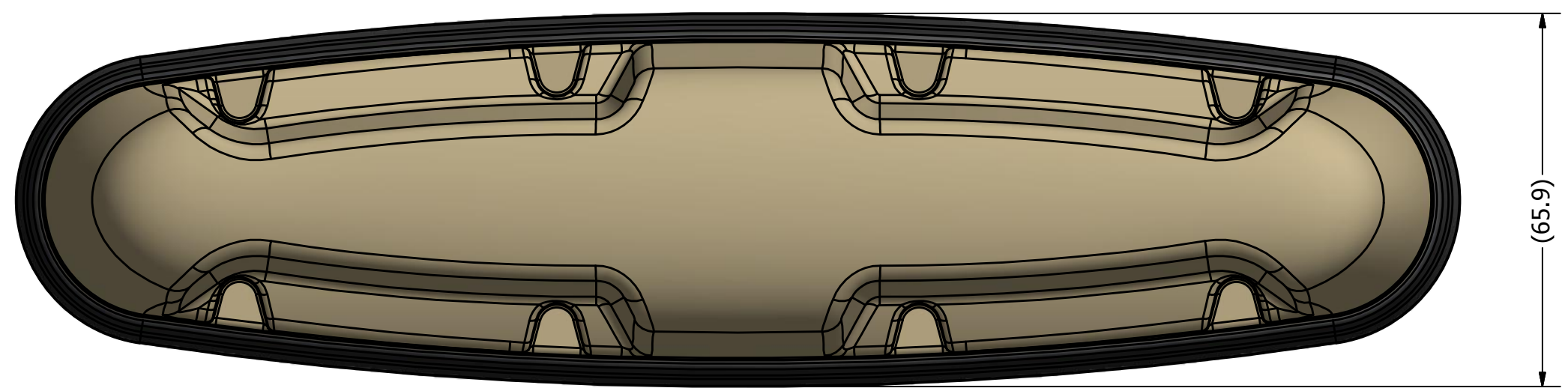


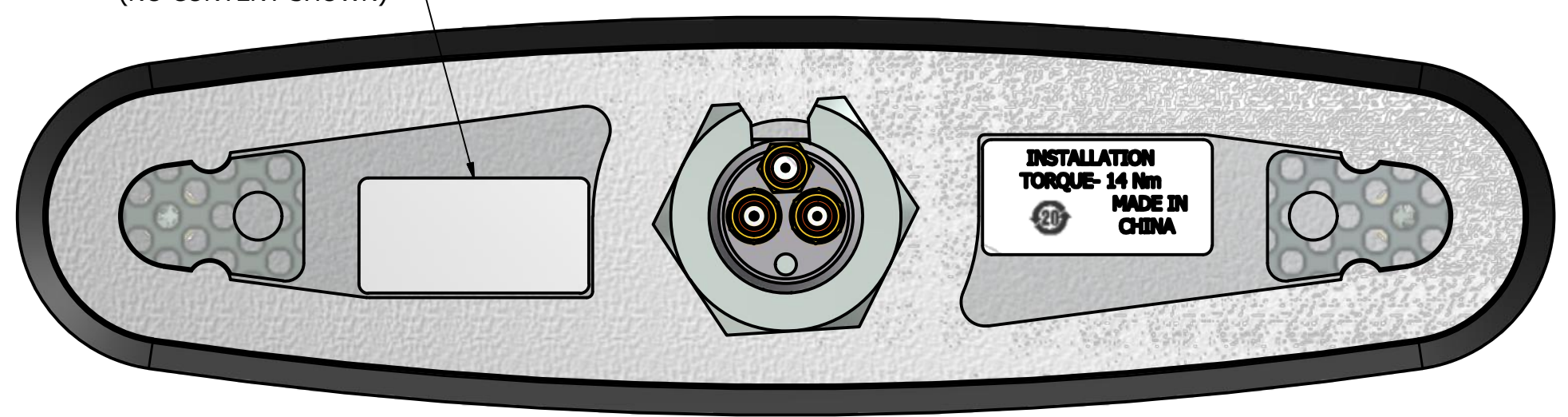
REVISION HISTORY			
REV	DESCRIPTION	DATE	APPROVED
1	INITIAL RELEASE	24JUN16	IP
2	UPDATED CABLE MARKERS	21JUL16	IP
3	UPDATED NOTE	26SEP16	IP



NOTES: UNLESS OTHERWISE SPECIFIED

- INTERPRET DRAWING PER ANSI/ASME Y14.5
- MECHANICAL:
RADOME: 10% GR POLYCARBONATE.
GASKET: TPE
- ELECTRICAL:
VSWR-[EFFICIENCY]: 690-960 MHz - [60%]
1710-2170 MHz - [60%]
2.3-2.7 GHz - [60%]
- FINISH: COLOR MATCH TO FED-STD-595: 23717
MOLDTECH 11020 ALL EXTERNAL SURFACES. PARTS SHALL BE CLEAN AND FREE OF FOREIGN MATTER.
- PARTS SHALL BE PACKAGED TO PREVENT DAMAGE IN SHIPMENT AND HANDLING.

PCTEL STANDARD PRODUCT LABEL (NO CONTENT SHOWN)



SUPPLIER PRINT ACCEPTANCE: <input type="checkbox"/> Accept drawing/specification: No changes needed. <input type="checkbox"/> This part is RoHS compliant <input type="checkbox"/> This part is REACH compliant <input type="checkbox"/> Accept drawing/specification. Notes/Mark-ups added <input type="checkbox"/> Cannot accept drawing/spec. Notes/Mark-ups added Supplier Projected Outgoing Quality: SIGMA LEVEL : _____ or PPM: _____ Signature _____ Date: _____		UNLESS OTHERWISE SPECIFIED DIMENSIONS ARE IN MILLIMETERS FOR TOLERANCES NOT SPECIFIED USE: [X mm ± 3 mm] [X.X mm ± .3 mm] [X.XX mm ± .13 mm] ANGULAR± 1° THIRD ANGLE PROJECTION 		DRAWN: FXG DATE: 3/17/2015 CHECKED: _____ DATE: _____ MATERIAL: SEE COMP. PRINTS FINISH: SEE COMP. PRINTS		 PCTEL, INC. 471 BRIGHTON DRIVE BLOOMINGDALE, IL 60108 PH. 630-372-6800 FAX. 630-372-8077	
DESCRIPTION: ANTENNA, SKYCOMPASS RHINO, SKYLINK GNSS, DUAL LTE				DRAWING NO.: HDGLDLTE-LFF			
SIZE: C		SCALE: 1:1		SHEET: 1 OF 1			