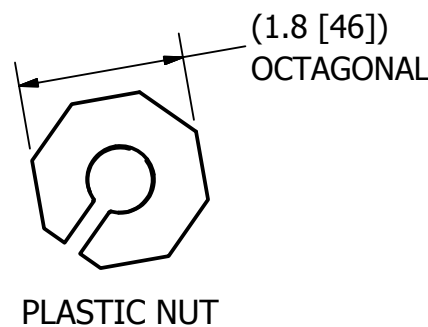
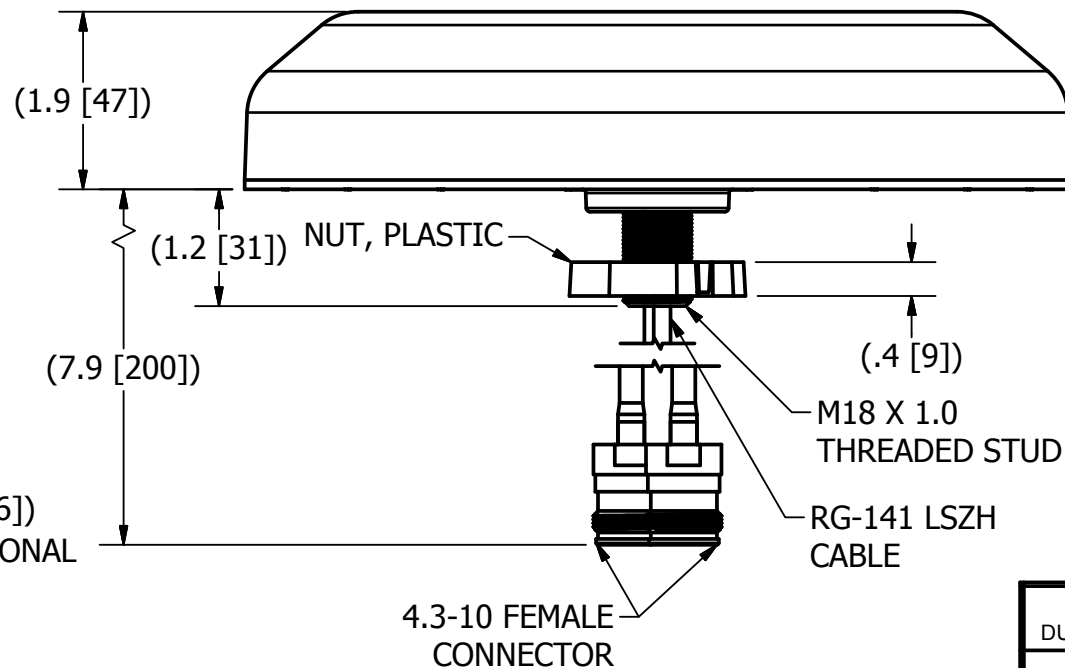
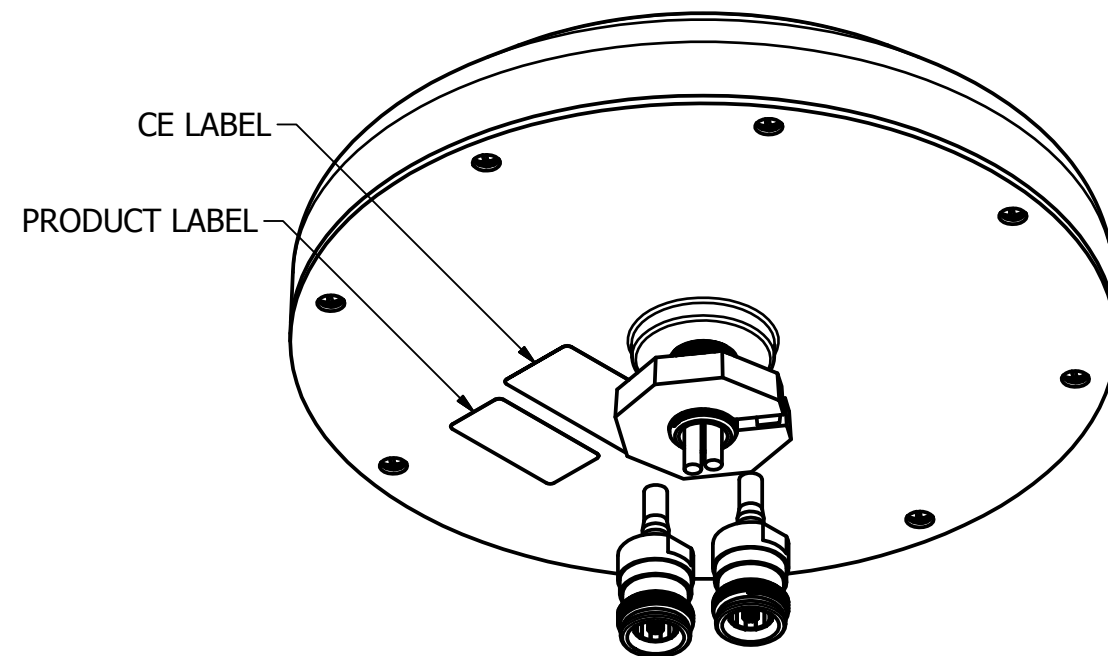
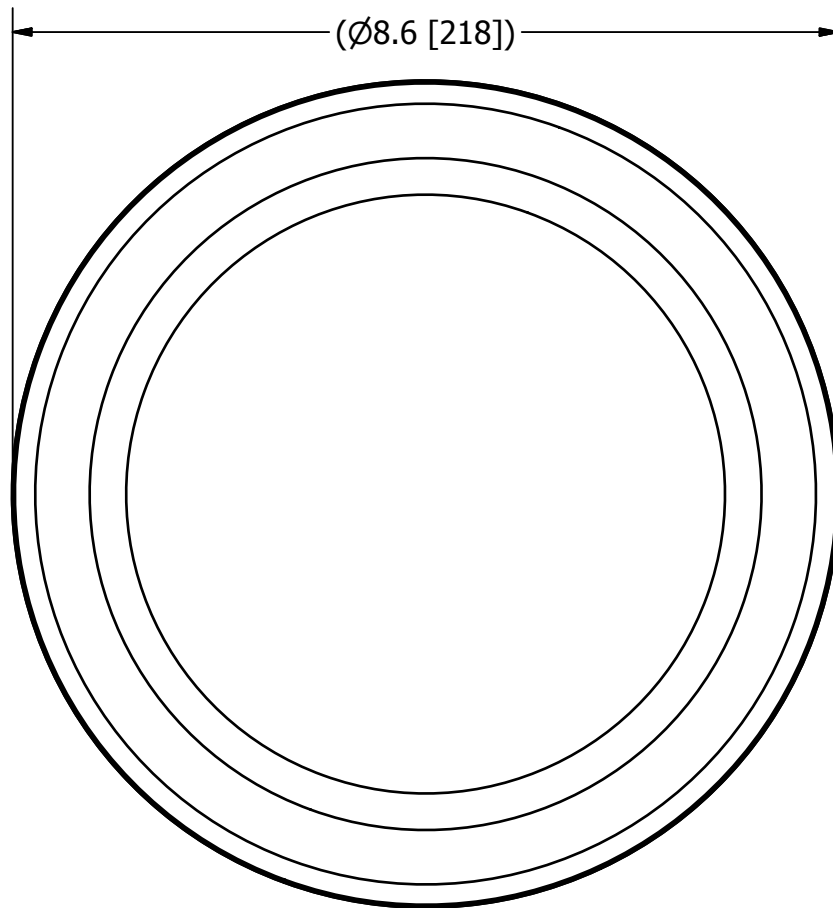


NOTES: UNLESS OTHERWISE SPECIFIED

1. ELECTRICAL SPECIFICATIONS.

FREQUENCY RANGE: 698-960 MHz
1710-2700 MHz
NOMINAL IMPEDANCE: 50 Ohms
NOMINAL GAIN: 3.4 dBi @ 698-960 MHz
5.9 dBi @ 1710-2700 MHz
MAX POWER: 50 WATTS
VSWR (MAX) ≤ 1.8:1 @ 698-960 MHz
≤ 1.8:1 @ 1710-2700 MHz

2. DIMENSIONS IN PARENTHESIS ARE FOR REFERENCE ONLY AND NO TOLERANCE IS IMPLIED.



REVISION HISTORY			
REV	DESCRIPTION	DATE	APPROVED
A	OUTLINE DIMENSIONAL DRAWING RELEASED	12JAN16	IP

UNLESS OTHERWISE SPECIFIED DUAL DIMENSIONING XX.Xin [XX.Xmm]	DRAWN	DATE
	IP	1/12/2016
FOR TOLERANCES NOT SPECIFIED USE: X.X in ± .1 in, X.XX in ± .01 in, X.XXX in ± .005 in [X mm ± 3 mm], [X.X mm ± .3 mm], [X.XX mm ± .13 mm] ANGULAR ± 1°, FRACTIONAL ± 1/64	CHECKED	DATE
THIRD ANGLE PROJECTION 	MATERIAL:	SEE COMP. PRINTS
	FINISH:	SEE COMP. PRINTS
PCTEL PROPRIETARY DATA THE INFORMATION AND/OR DRAWINGS CONTAINED IN THIS DOCUMENT IS CONFIDENTIAL AND PROPRIETARY TO PCTEL, INC. AND MAY NOT BE USED, REPRODUCED, IN WHOLE OR IN PART, OR MODIFIED IN ANY WAY WITHOUT THE EXPRESS WRITTEN PERMISSION OF AN AUTHORIZED REPRESENTATIVE OF PCTEL, INC.		

PCTEL
 PCTEL, INC.
 471 BRIGHTON DRIVE
 BLOOMINGDALE, IL 60108
 PH. 630-372-6800
 FAX. 630-372-8077

DESCRIPTION
 PIM, INDOOR & OUTDOOR, CEILING, MIMO LTE,
 4.3-10 FEMALE

DRAWING NO.
 ODD_PIM160-OCM-4.3

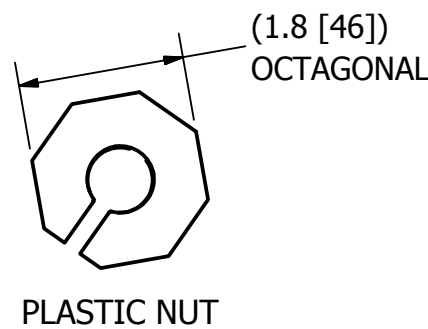
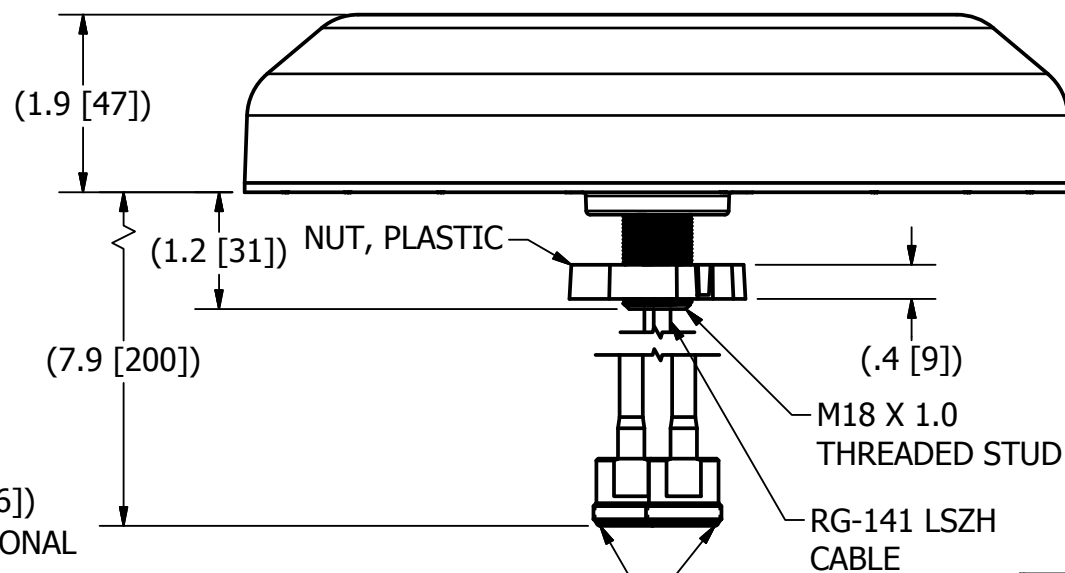
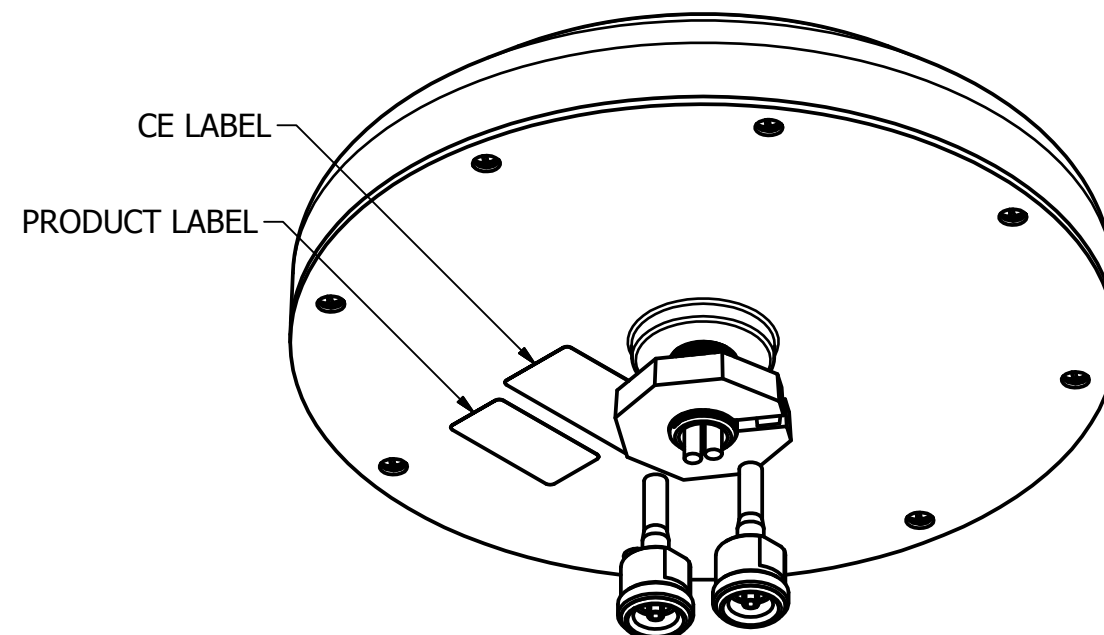
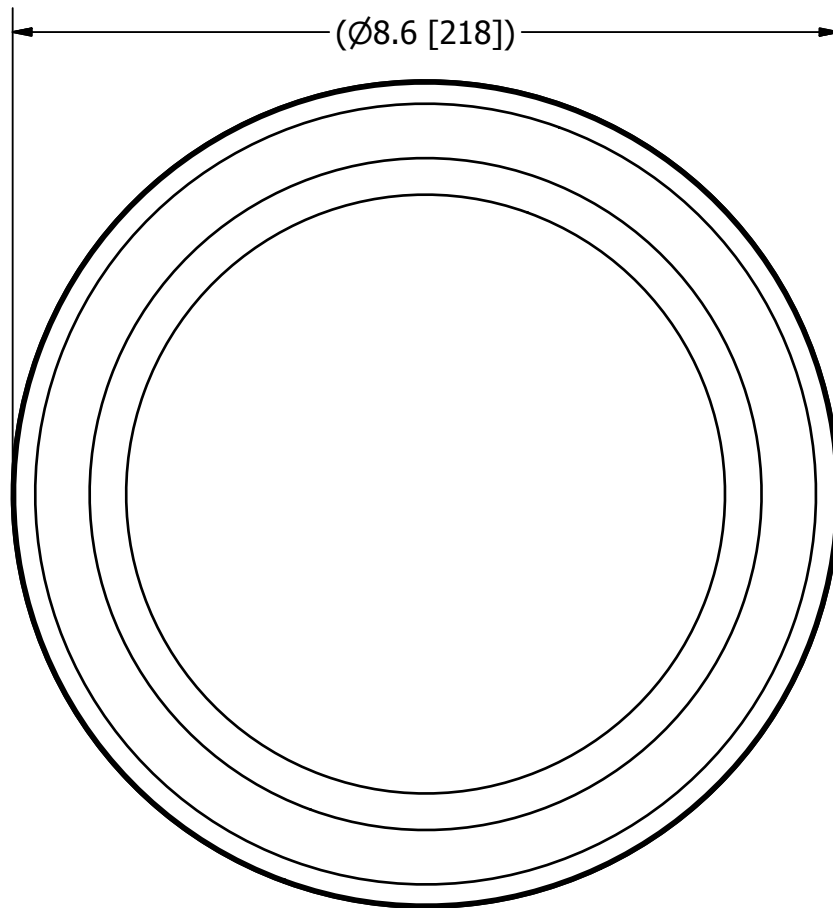
SIZE B SCALE 1/2 SHEET 1 OF 1

NOTES: UNLESS OTHERWISE SPECIFIED

1. ELECTRICAL SPECIFICATIONS.

FREQUENCY RANGE: 698-960 MHz
 1710-2700 MHz
 NOMINAL IMPEDANCE: 50 Ohms
 NOMINAL GAIN: 3.4 dBi @ 698-960 MHz
 5.9 dBi @ 1710-2700 MHz
 MAX POWER: 50 WATTS
 VSWR (MAX) ≤ 1.8:1 @ 698-960 MHz
 ≤ 1.8:1 @ 1710-2700 MHz

2. DIMENSIONS IN PARENTHESIS ARE FOR REFERENCE ONLY AND NO TOLERANCE IS IMPLIED.



MINI-DIN FEMALE CONNECTOR

NUT, PLASTIC

M18 X 1.0
 THREADED STUD

RG-141 LSZH
 CABLE

REVISION HISTORY			
REV	DESCRIPTION	DATE	APPROVED
A	OUTLINE DIMENSIONAL DRAWING RELEASED	12JAN16	IP

UNLESS OTHERWISE SPECIFIED DUAL DIMENSIONING XX.Xin [XX.Xmm]	DRAWN	DATE
	IP	1/12/2016
FOR TOLERANCES NOT SPECIFIED USE: X.X in ± .1 in, X.XX in ± .01 in, X.XXX in ± .005 in [X mm ± 3 mm], [X.X mm ± .3 mm], [X.XX mm ± .13 mm] ANGULAR ± 1°, FRACTIONAL ± 1/64	CHECKED	DATE
THIRD ANGLE PROJECTION 	MATERIAL:	SEE COMP. PRINTS
	FINISH:	SEE COMP. PRINTS
PCTEL PROPRIETARY DATA THE INFORMATION AND/OR DRAWINGS CONTAINED IN THIS DOCUMENT IS CONFIDENTIAL AND PROPRIETARY TO PCTEL, INC. AND MAY NOT BE USED, REPRODUCED, IN WHOLE OR IN PART, OR MODIFIED IN ANY WAY WITHOUT THE EXPRESS WRITTEN PERMISSION OF AN AUTHORIZED REPRESENTATIVE OF PCTEL, INC.		

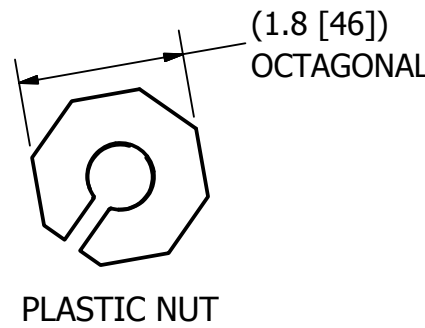
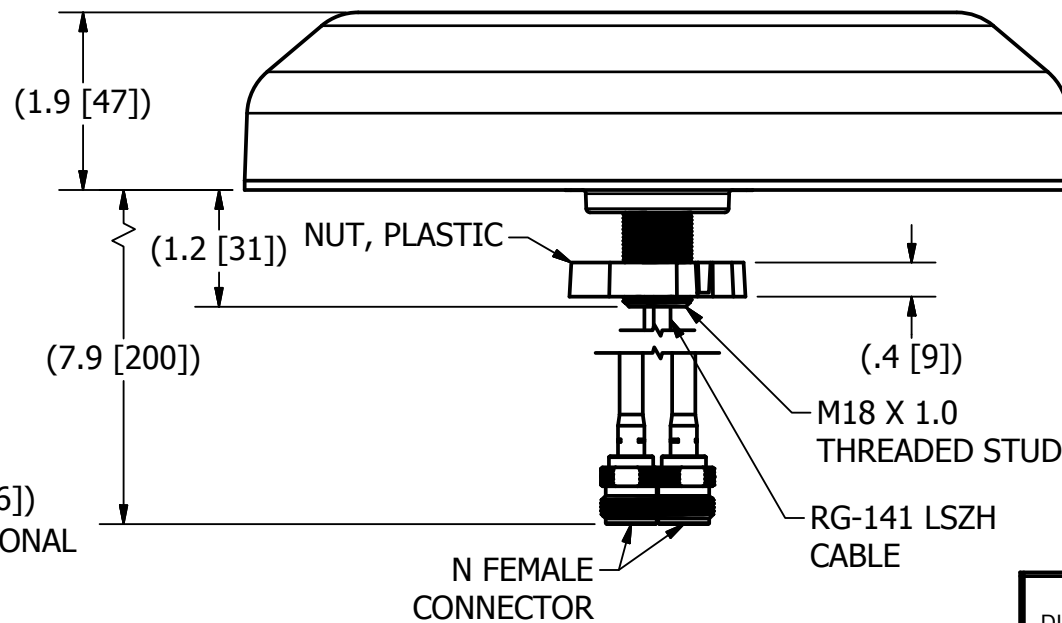
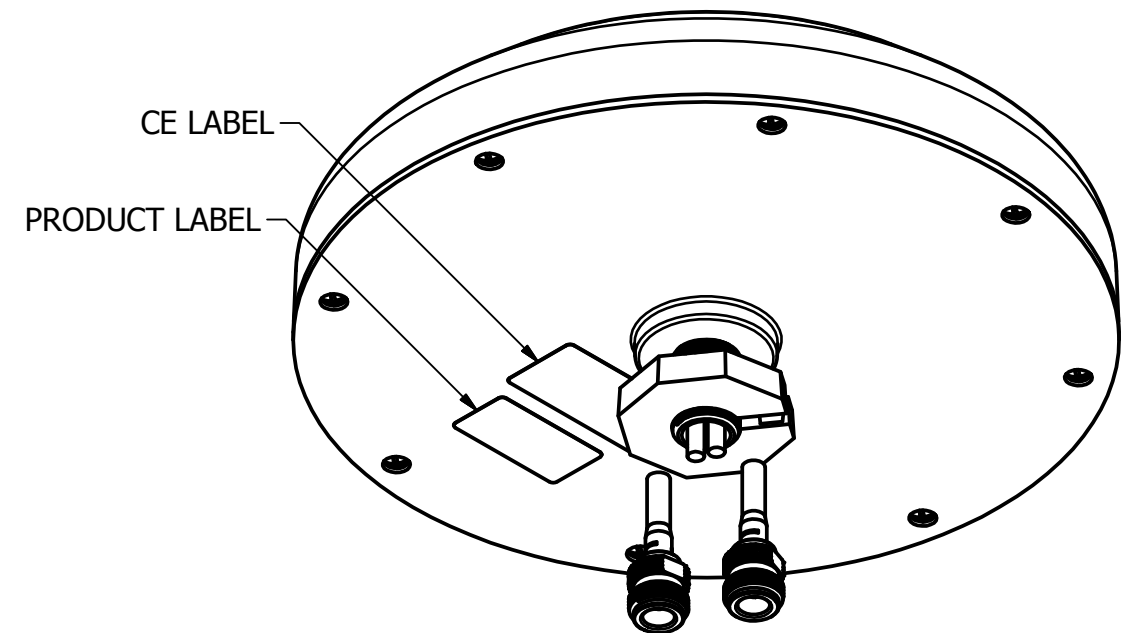
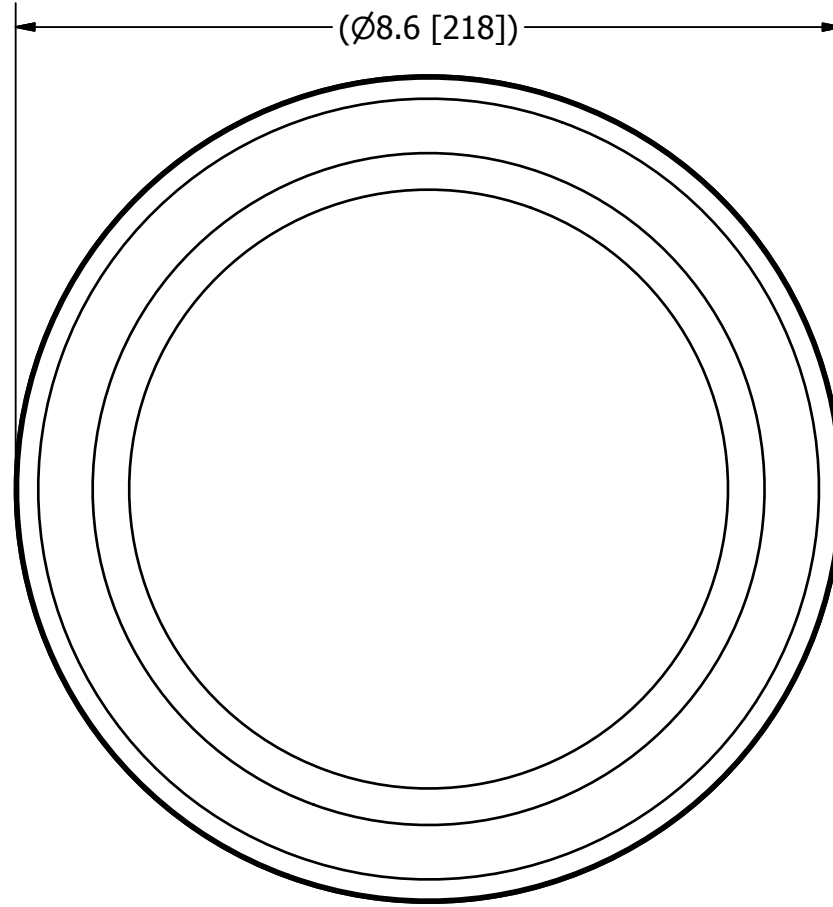
	PCTEL, INC. 471 BRIGHTON DRIVE BLOOMINGDALE, IL 60108 PH. 630-372-6800 FAX. 630-372-8077	
	DESCRIPTION PIM, INDOOR & OUTDOOR, CEILING, MIMO LTE, 4.1-9.5 FEMALE	
DRAWING NO. ODD_PIM160-OCM-4.1		
SIZE B	SCALE 1/2	SHEET 1 OF 1

NOTES: UNLESS OTHERWISE SPECIFIED

1. ELECTRICAL SPECIFICATIONS.

FREQUENCY RANGE: 698-960 MHz
 1710-2700 MHz
 NOMINAL IMPEDANCE: 50 Ohms
 NOMINAL GAIN: 3.4 dBi @ 698-960 MHz
 5.9 dBi @ 1710-2700 MHz
 MAX POWER: 50 WATTS
 VSWR (MAX) ≤ 1.8:1 @ 698-960 MHz
 ≤ 1.8:1 @ 1710-2700 MHz

2. DIMENSIONS IN PARENTHESIS ARE FOR REFERENCE ONLY AND NO TOLERANCE IS IMPLIED.



REVISION HISTORY			
REV	DESCRIPTION	DATE	APPROVED
A	OUTLINE DIMENSIONAL DRAWING RELEASED	12JAN16	IP

UNLESS OTHERWISE SPECIFIED DUAL DIMENSIONING XX.Xin [XX.Xmm]	DRAWN IP	DATE 1/12/2016
FOR TOLERANCES NOT SPECIFIED USE: X.X in ± .1 in, X.XX in ± .01 in, X.XXX in ± .005 in [X mm ± 3 mm], [X.X mm ± .3 mm], [X.XX mm ± .13 mm] ANGULAR ± 1°, FRACTIONAL ± 1/64	CHECKED	DATE
THIRD ANGLE PROJECTION 	MATERIAL: SEE COMP. PRINTS	
	FINISH: SEE COMP. PRINTS	
PCTEL PROPRIETARY DATA THE INFORMATION AND/OR DRAWINGS CONTAINED IN THIS DOCUMENT IS CONFIDENTIAL AND PROPRIETARY TO PCTEL, INC. AND MAY NOT BE USED, REPRODUCED, IN WHOLE OR IN PART, OR MODIFIED IN ANY WAY WITHOUT THE EXPRESS WRITTEN PERMISSION OF AN AUTHORIZED REPRESENTATIVE OF PCTEL, INC.		

PCTEL, INC. 471 BRIGHTON DRIVE BLOOMINGDALE, IL 60108 PH. 630-372-6800 FAX. 630-372-8077	
DESCRIPTION PIM, INDOOR & OUTDOOR, CEILING, MIMO LTE, N FEMALE	
DRAWING NO. ODD_PIM160-OCM-NF	
SIZE B	SCALE 1/2
SHEET 1 OF 1	