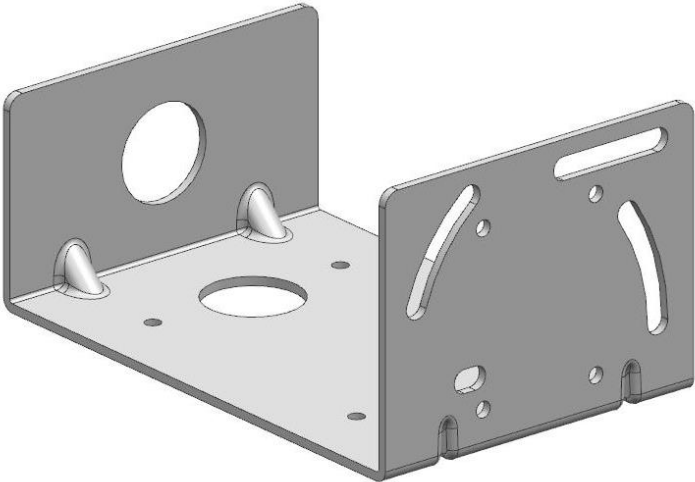
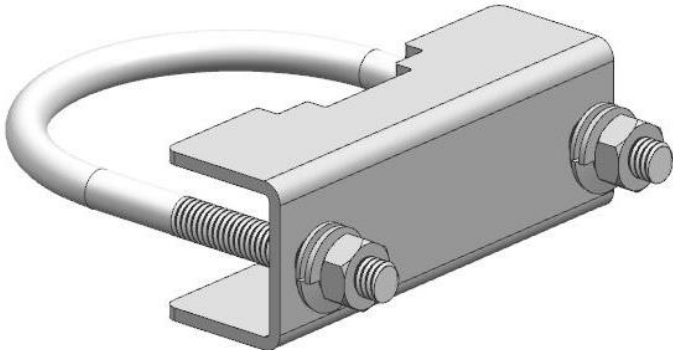


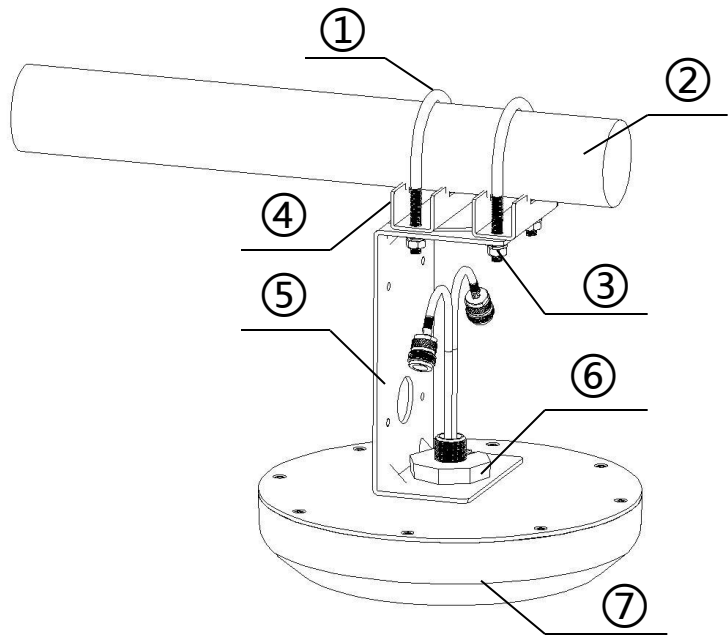
Installation Instruction for Outdoor MIMO Ceiling Antenna

Bracket A



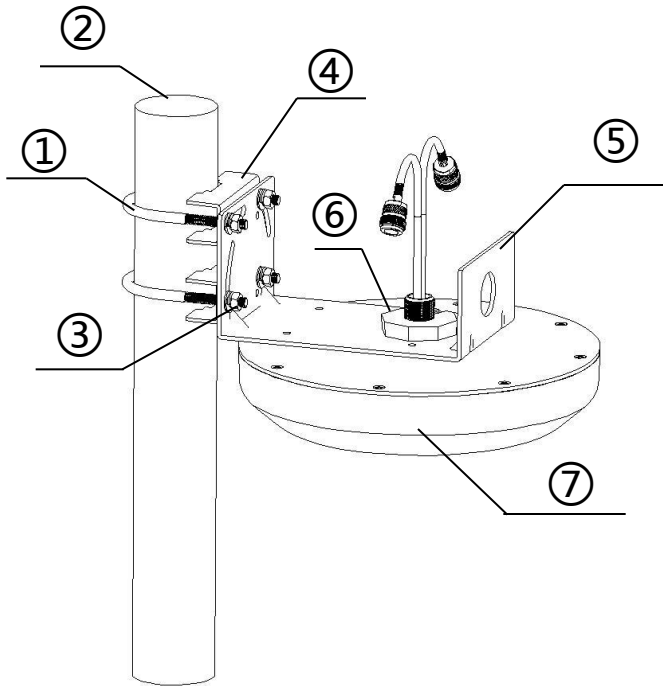
Mount Kit B





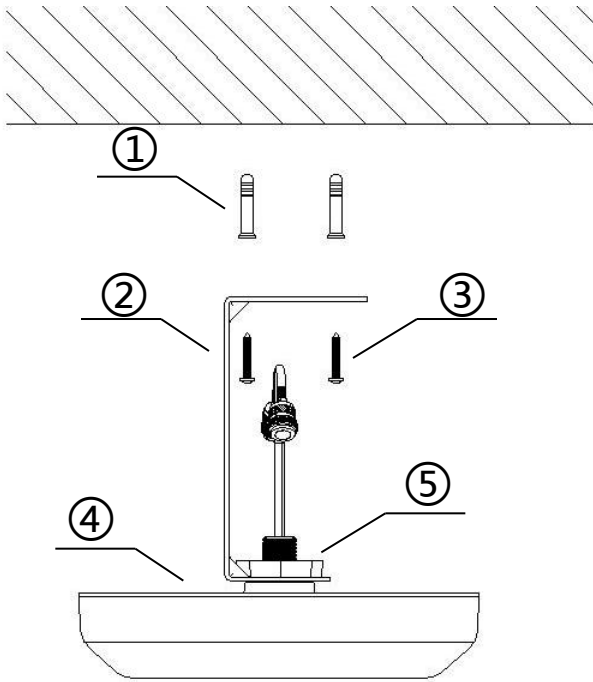
Installation Plan 1 (Bracket A+Mount Kit B)

- (1) Intall U bolt ① on the holes of mount kit ④ through the derrick ② ;
- (2) Install bracket ⑤ on the U bolt ① with nuts kit③(nut,flat gasket,spring washer) ;
- (3) Install antenna ⑦ on the bracket ⑤ with nut ⑥.



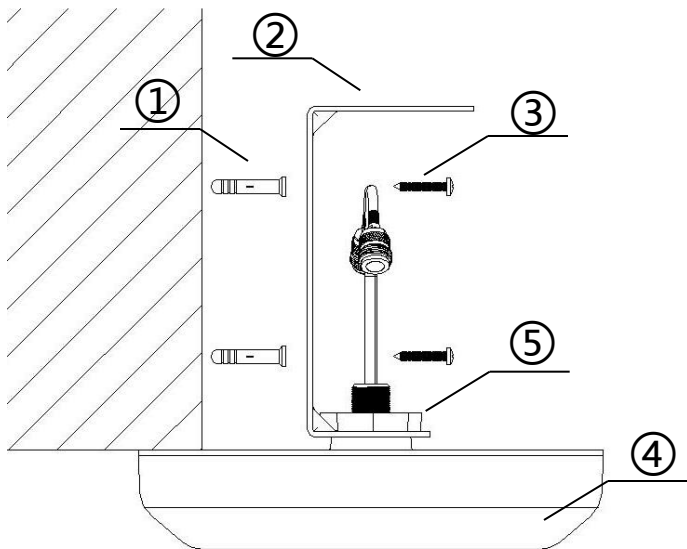
Installation Plan 2 (Bracket A+Mount Kit B)

- (1) Intall U bolt ① on the holes of mount kit ④ through the derrick ②
- (2) Install bracket ⑤ on the U bolt ① with nuts kit③(nut,flat gasket,spring washer) ;
- (3) Install antenna ⑦ on the bracket ⑤ with nut ⑥.



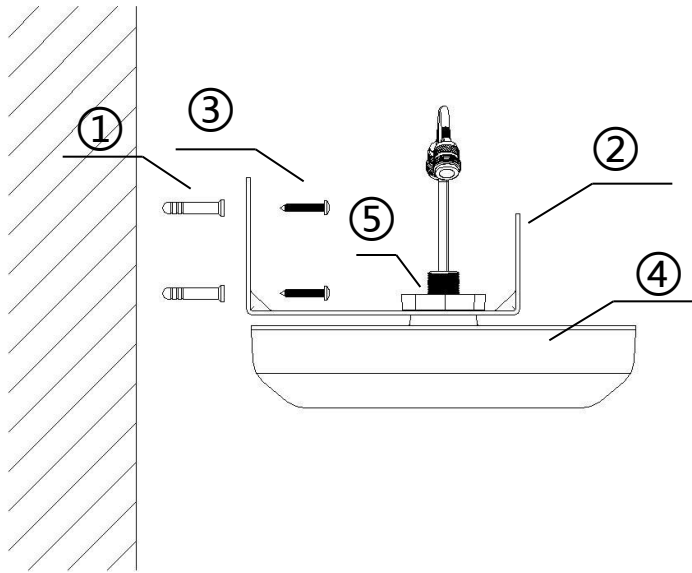
Installation Plan 3 (Bracket A)

- (1) Mark the install position of setscrews on the wall based on the holes of the bracket ②; drill four $\Phi 6\text{mm}$ holes and set expansion pipe ① on the holes;
- (2) Fix the bracket ② on the wall with tapping screws ③;
- (3) Install antenna ④ on the bracket ② with nut ⑤.



Installation Plan 4 (Bracket A)

- (1) Mark the install position of setscrews on the wall based on the holes of the bracket ②; drill four $\Phi 6\text{mm}$ holes and set expansion pipe ① on the holes;
- (2) Fix the bracket ② on the wall with tapping screws ③;
- (3) Install antenna ④ on the bracket ② with nut ⑤.



Installation Plan 5 (Bracket A)

- (1) Mark the install position of setscrews on the wall based on the holes of the bracket ②; drill four $\Phi 6\text{mm}$ holes and set expansion pipe ① on the holes;
- (2) Fix the bracket ② on the wall with tapping screws ③;
- (3) Install antenna ④ on the bracket ② with nut ⑤.