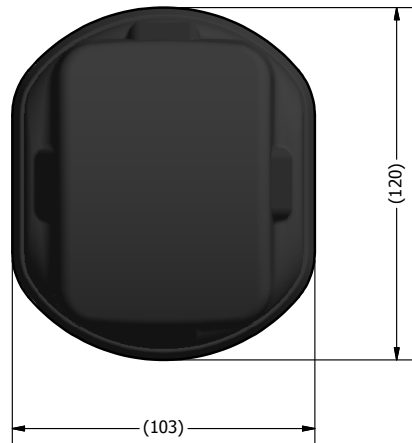
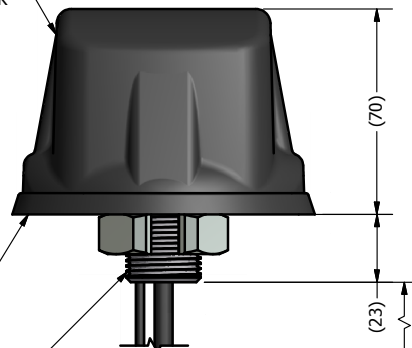


REVISION HISTORY			
REV	DESCRIPTION	DATE	APPROVED
1	RELEASE FOR PROTOTYPE(C18334)	2016/4/13	WY
2	RELEASE FOR PILOT(C20092)	2016/9/7	WY

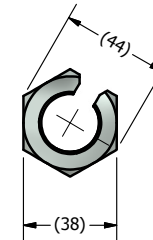
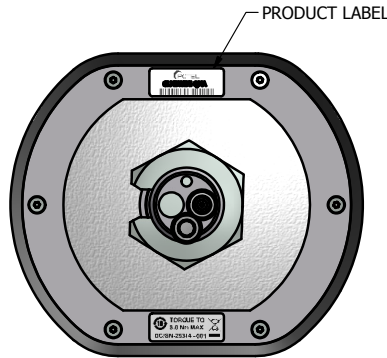
- NOTES: UNLESS OTHERWISE SPECIFIED
1. INTERPRET DRAWING PER ANSI/ASME Y14.5
 2. MATERIAL: SEE COMPONENT PRINTS
 3. FINISH: SEE COMPONENT PRINTS
PARTS SHALL BE CLEAN AND FREE OF FOREIGN MATTER.
ALL DIMENSIONS APPLY AFTER PLATING.
 4. ALL MATERIALS SHALL BE ROHS COMPLIANT.
 5. PARTS SHALL BE PACKAGED TO PREVENT DAMAGE IN SHIPMENT AND HANDLING.
 6. VSWR TEST SPEC:
MEASURED WITH 17 FEET OF CABLE:
2.4~2.5GHz < 2.0:1
4.9~5.9GHz < 1.75:1



PLASTIC RADOME UV STABLE
COLOR: BLACK



ANTENNA BASE
MATERIAL: SANTOPRENE
WATERPROOF



HARDWARE DETAIL VIEW

1-14 UNS 2A STUD
(Ø27mm THRU HOLE ON
MOUNTING SURFACE)

CABLE MARKER

PFP100A CABLE
WITH QMA PLUG

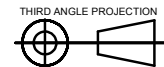
PFP240 CABLE
WITH QMA PLUG

2 X 17±0.32 FT

SUPPLIER PRINT ACCEPTANCE:	
<input type="checkbox"/> Accept drawing/specification: No changes needed:	<input type="checkbox"/> This part is RoHS compliant
<input type="checkbox"/> This part is REACH compliant	<input type="checkbox"/> Accept drawing/specification. Notes/Mark-ups added
<input type="checkbox"/> Cannot accept drawing/spec. Notes/Mark-ups added	Supplier Projected Outgoing Quality:
SIGMA LEVEL : _____ or PPM: _____	
Signature _____ Date: _____	

UNLESS OTHERWISE SPECIFIED
DIMENSIONS ARE IN MILLIMETERS

FOR TOLERANCES NOT SPECIFIED USE:
[X mm ± 3 mm] [X.X mm ± 3 mm]
[X.XX mm ± .13 mm] ANGULAR± 1°



PCTEL PROPRIETARY DATA

THE INFORMATION AND/OR DRAWINGS CONTAINED IN THIS DOCUMENT IS CONFIDENTIAL AND PROPRIETARY TO PCTEL, INC. AND MAY NOT BE USED, REPRODUCED, IN WHOLE OR IN PART, OR MODIFIED IN ANY WAY WITHOUT THE EXPRESS WRITTEN PERMISSION OF AN AUTHORIZED REPRESENTATIVE OF PCTEL, INC.

DRAWN WY DATE 2015/11/25

CHECKED FZ DATE 2016/9/7

MATERIAL: SEE INDIV PRINTS

FINISH: SEE INDIV PRINTS



PCTEL, INC.
471 BRIGHTON DRIVE
BLOOMINGDALE, IL 60108
PH. 630-372-6800
FAX. 630-372-8077

DESCRIPTION GPS/GLONASS, WIFI, BLACK RADOME, 17FT CABLE WITH QMA PLUG

DRAWING NO. ODD_GLMBWIFI-QMA

SIZE B SCALE 1:1 SHEET 1 OF 1