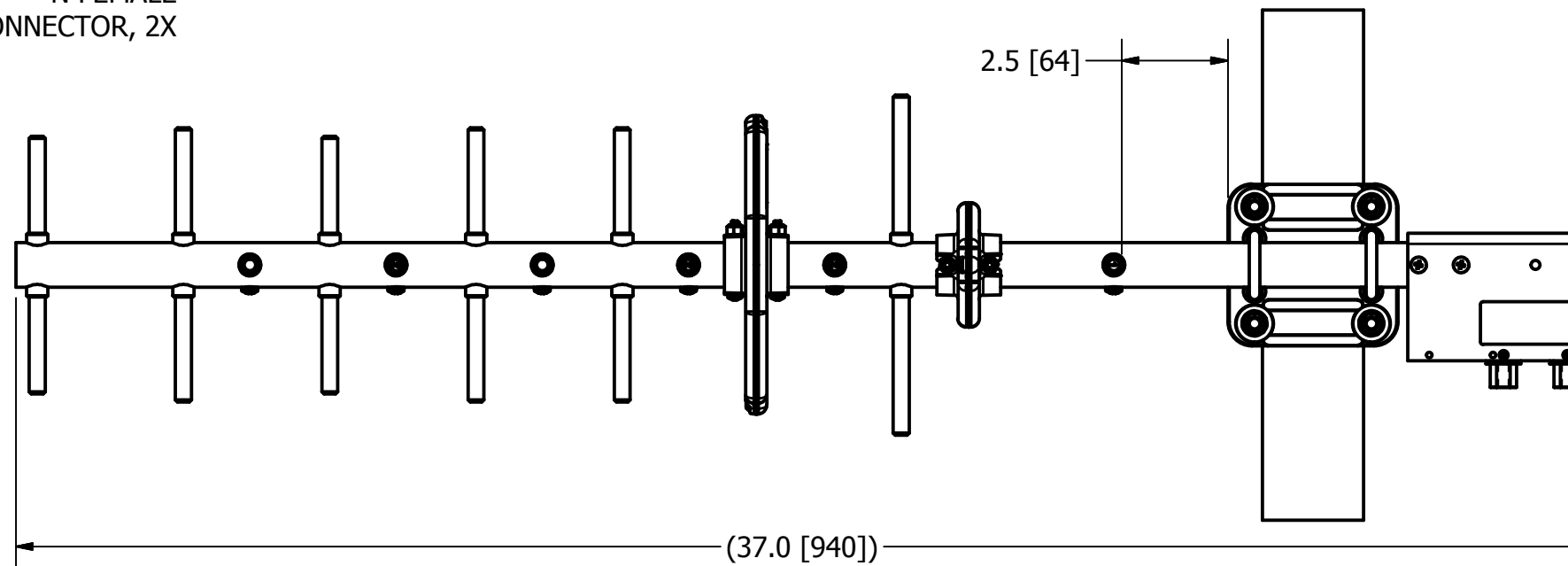
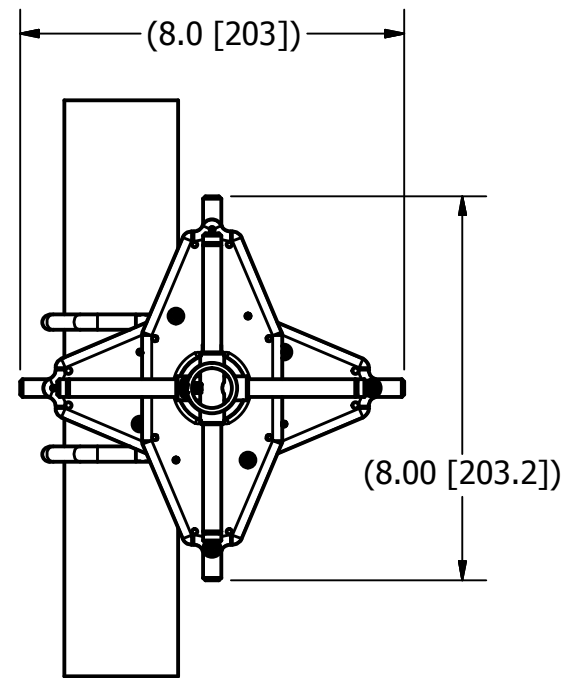
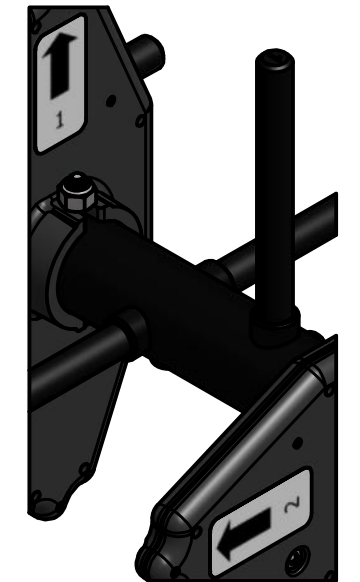
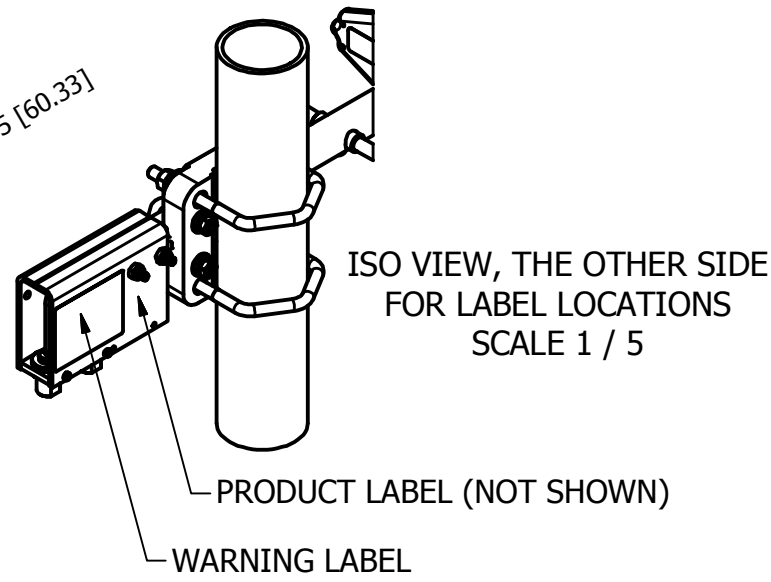
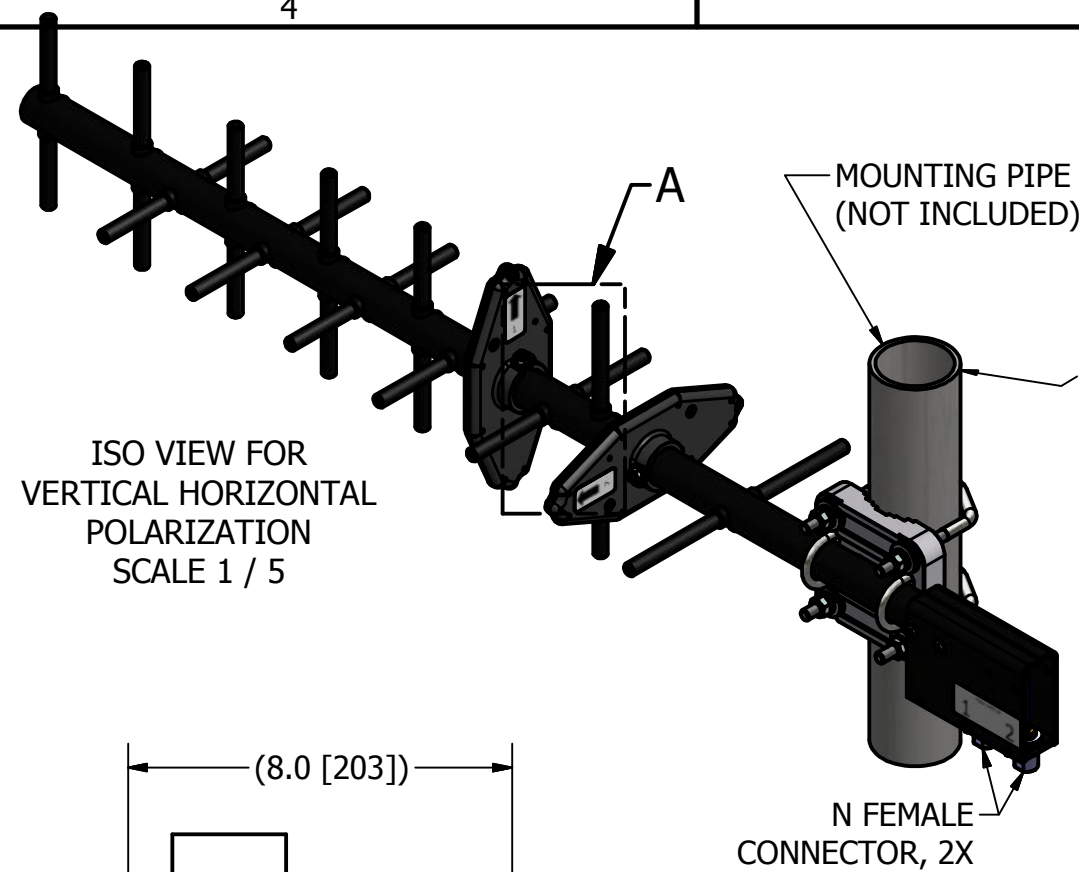



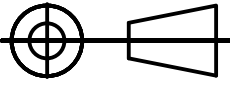
| REVISION HISTORY |             |         |          |
|------------------|-------------|---------|----------|
| REV              | DESCRIPTION | DATE    | APPROVED |
| 1                | RELEASED    | 08FEB17 | IP       |



VERTICAL HORIZONTAL POLARIZATION  
SCALE 1 / 4

NOTES: UNLESS OTHERWISE SPECIFIED

- INTERPRET DRAWING PER ANSI/ASME Y14.5
- PARTS SHALL BE CLEAN AND FREE OF FOREIGN MATTER.
- ALL MATERIALS SHALL BE ROHS COMPLIANT.
- PARTS SHALL BE PACKAGED TO PREVENT DAMAGE IN SHIPMENT AND HANDLING.
- DIMENSIONS IN PARENTHESIS ARE FOR REFERENCE ONLY AND NO TOLERANCE IS IMPLIED.
- ELECTRICAL SPECIFICATIONS:  
 FREQUENCY RANGE: 757-788 MHZ  
 GAIN: 12 dBi  
 RETURN LOSS > 16 dB  
 ISOLATION > 35 dB

|   |  |  |  |                            |  |  |  |
|---|--|--|--|----------------------------|--|--|--|
| SUPPLIER PRINT ACCEPTANCE:  |  | UNLESS OTHERWISE SPECIFIED DIMENSIONS ARE IN INCHES  |  | DRAWN IP DATE 2/8/2017     |  |  PCTEL, INC.<br>471 BRIGHTON DRIVE<br>BLOOMINGDALE, IL 60108<br>PH. 630-372-6800<br>FAX. 630-372-8077 |  |
| <input type="checkbox"/> Accept drawing/specification:<br>No changes needed:<br><input type="checkbox"/> This part is RoHS compliant<br><input type="checkbox"/> This part is REACH compliant<br><input type="checkbox"/> Accept drawing/specification.<br>Notes/Mark-ups added<br><input type="checkbox"/> Cannot accept drawing/spec.<br>Notes/Mark-ups added<br>Supplier Projected Outgoing Quality: |  | FOR TOLERANCES NOT SPECIFIED USE:<br>X.X in ± .1 in, X.XX in ± .01 in, X.XXX in ± .005 in<br>ANGULAR ± 1°, FRACTIONAL ± 1/64   |  | CHECKED DATE               |  |  |  |
| SIGMA LEVEL : _____ or PPM: _____<br>Signature _____ Date: _____  |  | THIRD ANGLE PROJECTION<br>  |  | MATERIAL: SEE COMP. PRINTS |  | DRAWING NO. ODD_BMYD757K-DP  |  |
|   |  | PCTEL PROPRIETARY DATA<br>THE INFORMATION AND/OR DRAWINGS CONTAINED IN THIS DOCUMENT IS CONFIDENTIAL AND PROPRIETARY TO PCTEL, INC. AND MAY NOT BE USED, REPRODUCED, IN WHOLE OR IN PART, OR MODIFIED IN ANY WAY WITHOUT THE EXPRESS WRITTEN PERMISSION OF AN AUTHORIZED REPRESENTATIVE OF PCTEL, INC. |  | FINISH: SEE COMP. PRINTS   |  | SIZE B SCALE 1/4 SHEET 1 OF 2  |  |