

### STUD MOUNT (TYPICAL INSTALLATION)

DETERMINE GPS PLUS ANTENNA/MOUNT INSTALLATION LOCATION. ENSURE THAT THE MOUNTING SURFACE IS AS FLAT AS POSSIBLE. 1.0 INCH DEEP BY 2.5 INCH DIAMETER MINIMUM IS REQUIRED BELOW MOUNTING SURFACE TO ALLOW FOR SUFFICIENT CLEARANCE FOR THE MOUNTING STUD, HARDWARE AND CABLES.

CUT/DRILL HOLES THROUGH MOUNTING SURFACE (0.50 MAX THICK) SIZED AND POSITIONED AS SHOWN IN DETAIL ABOVE.

CLEAN MOUNTING SURFACE AND BOTTOM OF GPS PLUS.

TO ENSURE A LONG TERM WATERTIGHT SEAL IT IS RECOMMENDED THAT A BEAD OF SILICONE SEALANT BE APPLIED AROUND BOTH HOLES.

FEED CABLES THROUGH LARGE HOLE AND ROUTE TO DESIRED LOCATION.

POSITION GPS PLUS ONTO MOUNTING SURFACE. MOUNTING STUD SHALL BE LOCATED IN LARGE HOLE AND LOCATING TAB SHALL BE LOCATED IN SMALL HOLE.

ON BOTTOM SIDE OF MOUNTING SURFACE SLIDE SLOTTED LOCK WASHER AND HEX NUT AROUND CABLES AND ASSEMBLE TO MOUNTING STUD. (DISCARD CROWN NUT SUPPLIED WITH UNIT) TIGHTEN UNTIL GASKET ON BASE OF GPS PLUS IS COMPRESSED TO APPROXIMATELY 50 PERCENT OF ORIGINAL THICKNESS. FOR CURVED MOUNTING SURFACES, GAUGE COMPRESSION AT CREST OF CURVATURE.

ASSEMBLE MOBILE ANTENNA TO GPS PLUS.  
STUD MOUNT (BLIND INSTALLATION)

TAB SHALL BE LOCATED IN SMALL HOLE.

PRESS GPS PLUS UNIT TOWARDS MOUNTING SURFACE UNTIL CROWN NUT SNAPS THROUGH HOLE AND TINES LOCK ON BOTTOM SIDE OF MOUNTING SURFACE. ASSEMBLE MOBILE ANTENNA TO GPS PLUS.

## PRODUCT WARRANTY

A. General Warranty. PCTEL, Inc ("PCTEL") represents and warrants that the Products furnished hereunder shall be free from defects in material and workmanship for a period of two (2) years from the date of shipment by PCTEL under normal use and operation. PCTEL sole and exclusive obligation under the foregoing warranty shall be to repair or replace, at its option, any defective Product that fails during the warranty period. The expense of removal and reinstallation of any item is not included in this warranty. THE FOREGOING WARRANTY IS EXCLUSIVE AND IN LIEU OF ALL OTHER WARRANTIES, EXPRESS OR IMPLIED, INCLUDING THE IMPLIED WARRANTIES OF MERCHANTABILITY AND FITNESS FOR A PARTICULAR PURPOSE AND ANY WARRANTIES ARISING FROM A COURSE OF DEALING, USAGE OR TRADE PRACTICE WITH RESPECT TO THE PRODUCTS. Repair or replacement in the manner provided herein shall be the sole and exclusive remedy of Buyer for breach of warranty and shall constitute fulfillment of all liabilities of PCTEL with respect to the quality and performance of the Products. PCTEL reserves the right to inspect all defective Products (which must be returned by Buyer to PCTEL factory freight prepaid). No Products will be accepted for replacement or repair without obtaining a Return Materials Authorization (RMA) number from PCTEL Customer Service [by telephone: 630.372. 6800 or email: antenna.techsupport@pctel.com]. Products returned without an RMA number will not be processed and will be returned to Buyer freight collect. PCTEL shall have no obligation to make repairs or replacement necessitated by catastrophe, fault, negligence, misuse, abuse, or accident by Buyer, Buyer's customers or any other parties. The warranty period of any repaired or replaced Product shall not extend beyond its original term.

B. Warranty Conditions. The foregoing warranty shall apply only if: (i) the Product has been properly installed and used at all times in accordance, and in all material respects, with the applicable Product documentation; (ii) no modification, alteration or addition has been made to the Product by persons other than PCTEL or PCTEL's authorized representatives or otherwise approved by PCTEL; and (iii) the Product has not been subjected to misuse, neglect or unusual physical, electrical or electromagnetic stress, or some other type of accident. C. Disclaimer. PCTEL DOES NOT WARRANT THAT THE OPERATION OF THE PRODUCTS IS ERROR-FREE OR THAT OPERATION WILL BE UNINTERRUPTED. IN NO EVENT SHALL PCTEL BE RESPONSIBLE FOR DAMAGES OR CLAIMS OF ANY NATURE OR DESCRIPTION RELATING TO (i) SYSTEM PERFORMANCE, INCLUDING COVERAGE, (ii) BUYER'S SELECTION OF PRODUCTS FOR BUYER'S APPLICATION AND/OR (iii) FAILURE OF PRODUCTS TO MEET GOVERNMENT OR REGULATORY REQUIREMENTS.

### RETURNS

In the unlikely event a defect occurs in this product, please work through the dealer or distributor from which this product was purchased. PCTEL, Inc. provides complete service and support to all of its dealers and distributors.

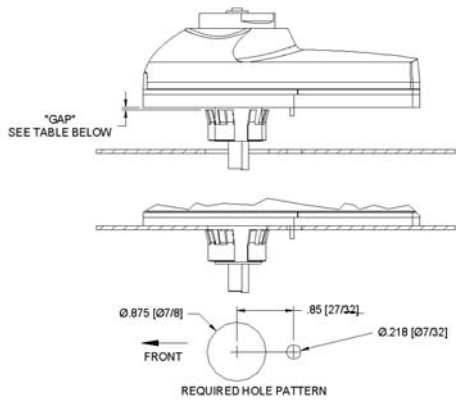
# MAXRAD

471 Brighton Drive  
Bloomington, IL 60108



**MAX-MATICS™ GPS+  
COMBINATION GPS ANTENNA  
AND MOBILE ANTENNA MOUNT**

© 2007, PCTEL, Inc.  
Broadband Technology Group - Antenna Products  
All rights reserved.



### STUD MOUNT (BLIND INSTALLATION)

DETERMINE GPS PLUS ANTENNA/MOUNT INSTALLATION LOCATION. ENSURE THAT THE MOUNTING SURFACE IS AS FLAT AS POSSIBLE. 1.0 INCH MINIMUM IS REQUIRED BELOW MOUNTING SURFACE TO ALLOW FOR SUFFICIENT CLEARANCE FOR THE MOUNTING STUD AND CABLES.

CUT/DRILL HOLES THROUGH MOUNTING SURFACE (0.13 MAX THICK) SIZED AND POSITIONED AS SHOWN IN DETAIL ABOVE.

ASSEMBLE CROWN NUT TO MOUNTING STUD SO THAT TINES ARE FLUSH WITH BOTTOM SURFACE OF GASKET. ADJUST THE POSITION OF THE CROWN NUT AS DESCRIBED IN TABLE BELOW FOR VARIOUS MATERIAL THICKNESS.

**CAUTION: THIS STEP IS CRITICAL. CROWN NUT MUST BE ADJUSTED ON MOUNTING STUD FOR APPLICABLE MOUNTING SURFACE MATERIAL THICKNESS. ONCE ANTENNA IS ASSEMBLED THROUGH MOUNTING SURFACE IT CAN NOT BE REMOVED UNLESS ACCESS TO THE CROWN NUT IS POSSIBLE. TO REMOVE, PRESS GPS PLUS UNIT TOWARDS MOUNTING SURFACE TO COMPRESS GASKET THEN LOOSEN CROWN NUT.**

CLEAN MOUNTING SURFACE AND BOTTOM OF GPS PLUS. TO ENSURE A LONG TERM WATERTIGHT SEAL IT IS RECOMMENDED THAT A BEAD OF SILICONE SEALANT BE APPLIED AROUND BOTH HOLES.

FEED CABLES THROUGH LARGE HOLE AND ROUTE TO DESIRED LOCATION.

POSITION GPS PLUS OVER MOUNTING SURFACE. MOUNTING STUD SHALL BE LOCATED IN LARGE HOLE AND LOCATING TAB SHALL BE LOCATED IN SMALL HOLE.

PRESS GPS PLUS UNIT TOWARDS MOUNTING SURFACE UNTIL CROWN NUT SNAPS THROUGH HOLE AND TINES LOCK ON BOTTOM SIDE OF MOUNTING SURFACE.

ASSEMBLE MOBILE ANTENNA TO GPS PLUS.

MATERIAL THICKNESS	TURN CROWN NUT, FROM FLUSH POSITION, FOR MATERIAL THICKNESS	RESULTING "GAP" SEE FIGURE ABOVE
.032 INCH	1 FULL TURN CLOCKWISE	-.062 INCH (BELOW)
.063 INCH	1/2 TURN CLOCKWISE	-.032 INCH (BELOW)
.094 INCH	NO ADJUSTMENT	0.0 INCH (FLUSH)
.125 INCH	1/2 TURN COUNTER-	+.032 INCH (GAP)

### GPS PLUS COMBINATION ANTENNA/MOUNT RECOMMENDED INSTALLATION INSTRUCTIONS

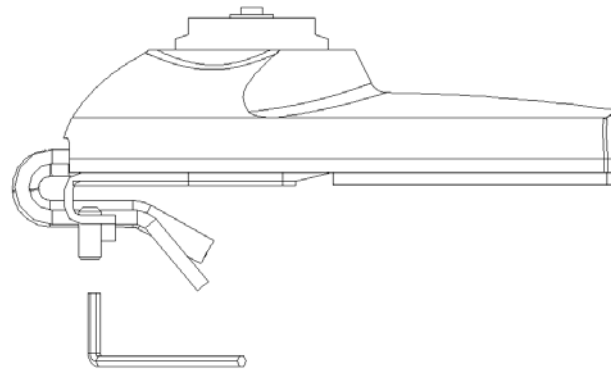
**GENERAL:**  
THE GPS PLUS COMBINATION ANTENNA/MOUNT INCLUDES AN ACTIVE GPS ANTENNA AND A MOBILE ANTENNA MOUNT IN A SINGLE INSTALLATION.

THE GPS PLUS IS AVAILABLE IN FOUR MOUNTING CONFIGURATIONS; TRUNK LID, MIRROR BRACKET, THROUGH HOLE STUD AND MAGNET. FOLLOW APPLICABLE INSTRUCTIONS FOR EACH CONFIGURATION.

THE MOBILE ANTENNA INTERFACE IS A STANDARD M-TYPE INTERFACE (1 1/8-18 THREAD) THAT HAS BEEN DESIGNED TO PROVIDE PERFORMANCE AT LOW AND HIGH FREQUENCIES.

INSTALLATION GUIDELINES FOR THE SPECIFIC MOBILE ANTENNA USED WITH THIS MOUNT APPLY AS IF USED WITH A STANDARD PERMANENT ANTENNA MOUNT, I.E. IF THE ANTENNA REQUIRES A GROUND PLANE ON A STANDARD MOUNT IT WILL REQUIRE A GROUND PLANE UNDER THE GPS PLUS ANTENNA/MOUNT.

THE OPTIMUM LOCATION FOR MOUNTING THE GPS PLUS IS A FLAT LEVEL SURFACE, FREE OF OBSTRUCTION, OFFERING A CLEAR VIEW OF THE HORIZON AND ABOVE IN ALL DIRECTIONS.



### TRUNK LID MOUNT

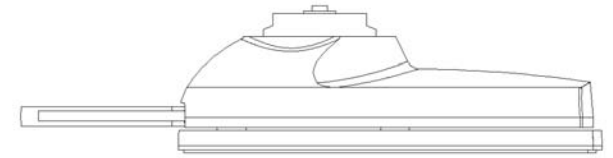
CLEAN GPS PLUS MOUNTING SURFACE AND AREA ON TRUNK LID WHERE GPS PLUS WILL BE ASSEMBLED.

OPEN TRUNK LID AND FEED CABLES INTO TRUNK BETWEEN TRUNK LID AND BODY OF VEHICLE.

SLIDE TRUNK LID BRACKET OVER TRUNK LID LIP. MAKE SURE THERE IS A SMALL LOOP IN THE TWO CABLE ASSEMBLIES AROUND THE TRUNK LIP.

ASSEMBLE TWO SET SCREWS THROUGH BOTTOM SIDE OF TRUNK LID BRACKET AND TIGHTEN AGAINST TRUNK LID, USING PROVIDED ALLEN WRENCH, UNTIL BOTH SCREWS ARE SNUG AND GPS PLUS IS SECURE.

ASSEMBLE MOBILE ANTENNA TO GPS PLUS.



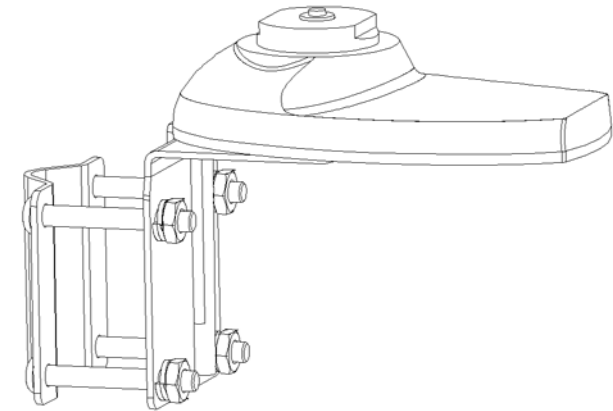
### MAGNET MOUNT

CLEAN ANTENNA MOUNTING SURFACE AND AREA WHERE GPS PLUS ANTENNA/MOUNT WILL BE PLACED TO PREVENT SCRATCHING OF MOUNTING SURFACE.

ASSEMBLE MOBILE ANTENNA TO GPS PLUS.

SET GPS PLUS ON FERROUS SURFACE IN DESIRED LOCATION.

TO REMOVE GPS PLUS, TIP THE UNIT TO THE SIDE AND LIFT.



### MIRROR MOUNT

HOLD GPS PLUS MIRROR MOUNT BRACKET AGAINST VEHICLE MIRROR BRACKET TUBE/PIPE WITH ANTENNA BODY AWAY FROM TUBE/PIPE. GPS PLUS SHOULD BE POSITIONED AS CLOSE TO THE TOP OF THE VEHICLE MIRROR BRACKET AS POSSIBLE.

GPS PLUS CAN BE MOUNTED TO EITHER VERTICAL OR HORIZONTAL MIRROR BRACKET TUBE/PIPE UP TO 1.25 INCH DIAMETER.

POSITION CLAMP BRACKET AROUND TUBE/PIPE ON OPPOSITE SIDE AS GPS PLUS.

ASSEMBLE HARDWARE THROUGH THE TWO BRACKET HALVES AND SECURE WITH LOCK WASHERS AND HEX NUTS. TIGHTEN UNTIL SNUG AND GPS PLUS ANTENNA/MOUNT IS SECURE.

ASSEMBLE MOBILE ANTENNA TO GPS PLUS.

ROUTE CABLES INTO VEHICLE.